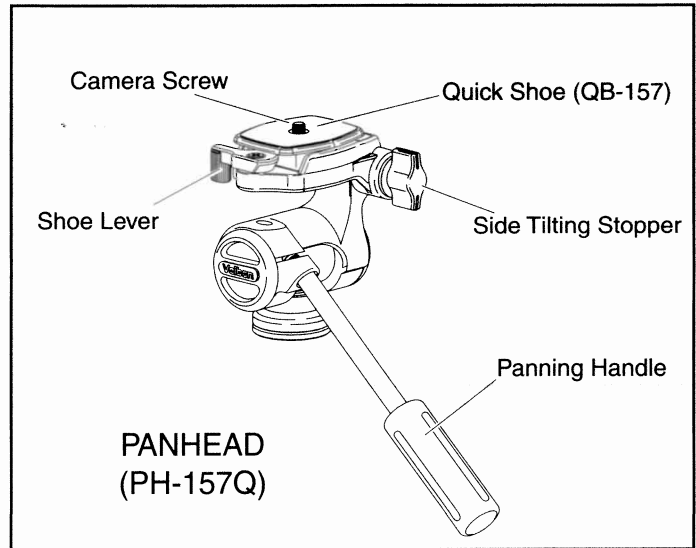
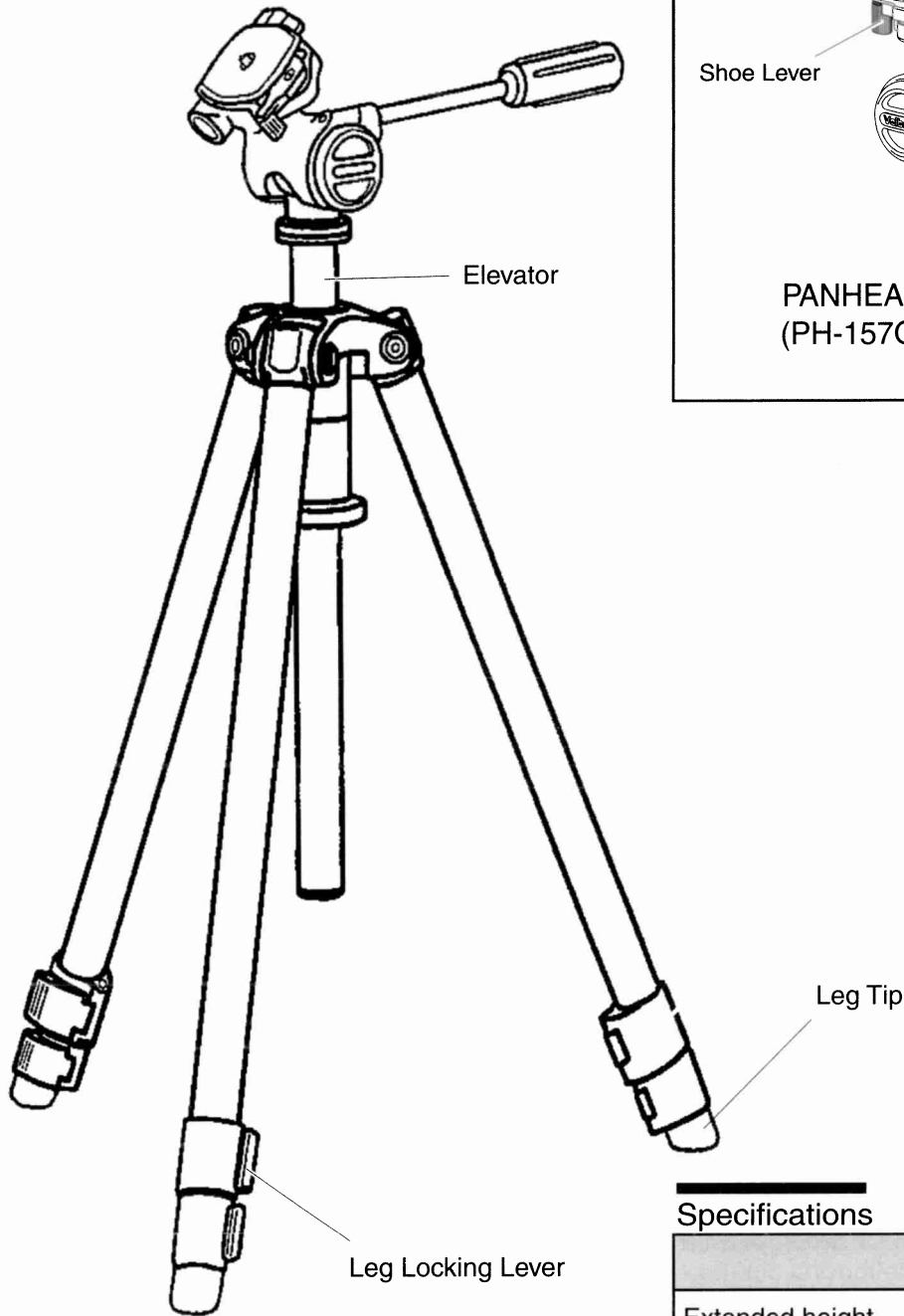


Identification of Parts

Thank you for purchasing Velbon Sherpa 200R. Please read operating manual carefully before you start to use.

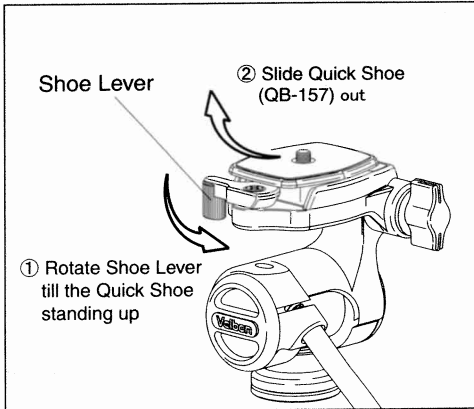


When moving from place to place, please ensure you detach your camera from the tripod, otherwise movement could cause your camera to detach and fall.

Specifications

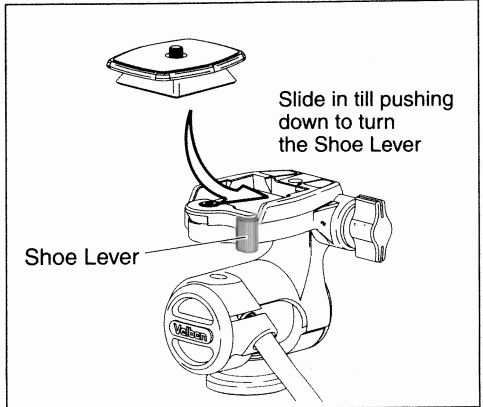
	Sherpa 200R
Extended height	1,675mm
Centre Column Extension	325mm
Closed length	625mm
Weight	2,000g
Ideal load	2kg
Leg sections	5
Panhead	PH-157Q

1-1. How to attach camera (PH-157Q)




Rotate Shoe Lever until the Quick Shoe raises up automatically. Slide it out from the head then attach to the bottom of camera body. Then screw in carefully and tighten with a camera firmly.

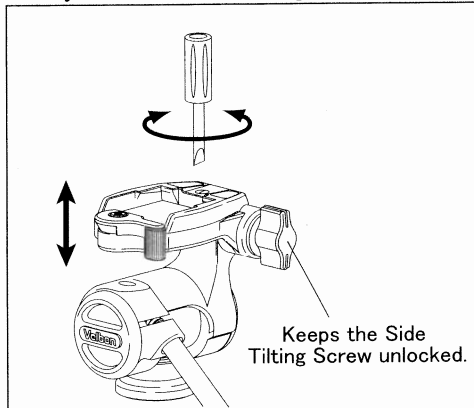
1-2. How to attach camera (PH-157Q)



Keep the Shoe Lever unlocked, then sliding camera with the Quick Shoe into the head, then automatically Shoe Lever is locking the Quick Shoe to hold. Please add locking tension by rotating Shoe Lever for sure, like double check.

 Hold your camera surely while you operate quick release to attach then locate onto the head.

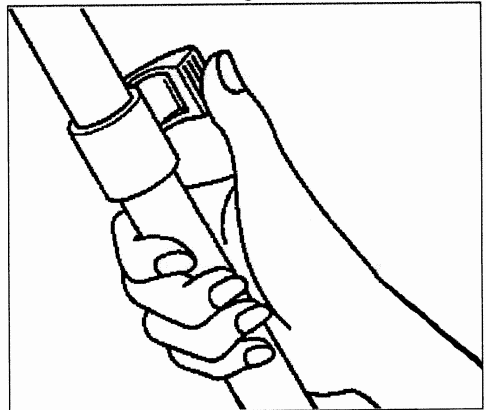
3. Adjustment of the angle of the plate



Rotate the screw as seen in the drawing, Camera plate moves slightly up or down.

- ※Minus -shape screw driver is not contained with.
- ※Do not attempt to loose too much

4. How to extend legs



Using thumb to open the Leg Locking Lever to extend legs to the desired height. Then locking each leg section firmly. For the folding legs, opening the Leg Locking Lever and collapse from the lower leg section to the upper leg section.