



2023



# McGill – Standards Catalog

Administrative furniture- Desks,  
Workstations, Meeting tables, Storage  
and Accessories





# CONTENTS

## Groupe Focus

Introduction of Groupe Focus  
Your dedicated team  
Our environmental values

## Workstations and Casegoods

1. Private Office
  - L-Shaped desks with integrated storage
  - L-Shaped desks with mobile storage
  - Shared Office
  
2. Open Workstation
  - Integrated electrical storage workstation
  - Workstation with electrified panels
  - Workstation with electrified beams
  - Reception desks
  
3. Freestanding Storage
  - Pedestal laminate/metal
  - Mobile pedestal laminate/metal
  - Filing Cabinet
  - Filing Drawers
  - Storage Cabinet
  - Wardrobe
  - Bookcase
  
4. Conference and Meeting table
  - Conference table
  - Round Side Table
  - Rectangular Training Table
  
5. Ergonomic Accessories
  - Keyboard holder
  - Sit/Stand system
  - Display Stand & Monitor arms
  - Computer Tower Support
  - Height Adjustable Table

Additional Information  
Discount and Warranties  
Manufacturing & Lead Times  
Request Form



# YOUR DEDICATED TEAM

A highly specialized elite team



Philippe Leroux  
Director, Sales and  
corporate development

T: (514) 644-5550 #4313  
[pleroux@groupefocus.com](mailto:pleroux@groupefocus.com)



Valérie Mathieu  
Account Manager

T: (514) 644-5550 #4108  
[vmathieu@groupefocus.com](mailto:vmathieu@groupefocus.com)



Nadia Tremblay  
Account Coordinator

T: (514) 644-5550 #4196

**In order to provide you with unparalleled service and experience, Groupe Focus provides you with an elite team.**

With more than 10 years of experience in corporate furniture, **Valérie Mathieu** has distinguished herself by her consultative approach towards clients. She will accompany you throughout your projects by offering you an unparalleled customer service.

She will be present at your site meetings and she will take charge of all the stages of your project in order to make it a success and a source of pride for your institution.

Coordination is also an essential aspect of a project. This segment will be the responsibility of **Nadia Tremblay**. Nadia will make every effort to place and monitor orders and verify them. Meeting the established deadlines is at the top of her priorities and responsibilities.

In case that a situation needs to be escalated, **Philippe Leroux**, Director of Sales and Corporate Development, will be your reference in the organization.

Our commitment towards McGill University is to provide you with our best resources, to offer impeccable service and great products at all times.





# PRODUCTION & LEAD TIMES

The order is accepted and processed as soon as Groupe Focus receives a purchase order in accordance with the latest quotation or items in the electronic catalogue or official order as the case may be.

PRODUCTS	LEAD TIMES
Teknion TCO, TFS <sup>2</sup> (Leverage, HiSpace, Filing & Storage, Complements - metal)	5 to 6 weeks <sup>1</sup>
Teknion R&B <sup>2</sup> (Expansion Caseworks, Desking & Training) and Tables & Collaborative Spaces	4 to 5 weeks <sup>1</sup>
Teknion Upstage	6 to 8 weeks <sup>1</sup>
Allseating	4 to 6 weeks <sup>1</sup>
Rouillard	10 to 12 weeks <sup>1</sup>

<sup>1</sup> *Delivery times presented in this document are subject to changes without notice.  
\*\*\* The item with the longest lead time determines the delivery of the entire order.*

<sup>2</sup> *Wood elements on request, specific deadlines to be determined.*

Xpress program <i>Fast delivery program available for specific components, limited quantities and colors</i>	3 weeks <sup>1</sup>
---	----------------------



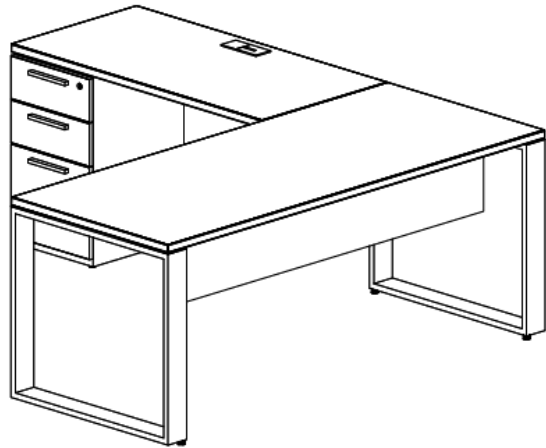
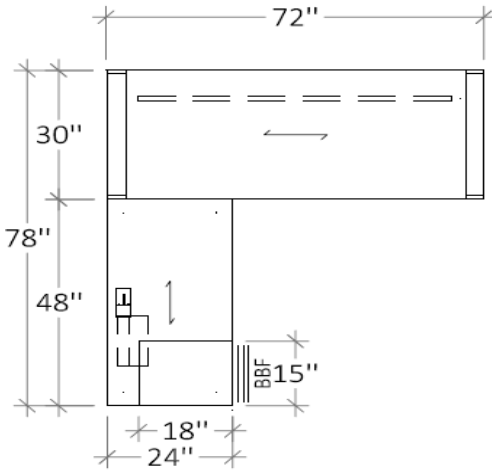
\* All lead times start when the order is processed. Lead times may vary due to reasons out of our control.



# Private Office

## D1- Standard L shaped desk

L shaped desk with integrated storage and modesty panel



\*This Application is available in many dimensions.



Manufacturer: **Teknion** Collection: **Expansion Casegoods**

### Private Office D1

DESCRIPTION	Qty	Price list	Discount	Total price
<b>D1- Standard L shaped desk with integrated storage and modesty panel</b>				
Main surface 30"D x 72"W high pressure laminate 1-3/16" thick with open leg no grommet BMMDWO3072N	1	1 408.00 \$	55%	633.60 \$
Rectangular Worksurface, 24"d x 48"w, Centered BMRWL2448C	1	372.00 \$	55%	167.40 \$
Rectagular Grommet BLGC	1	22.00 \$	55%	9.90 \$
Suspended Modesty Panel - Solid, 60" W X 10" H BASML6010	1	133.00 \$	55%	59.85 \$
Metal pedestal Stationary 18"D X 28"H Box, Box, File laminate Front drawer BNSPS18286612	1	576.00 \$	55%	259.20 \$
<b>Total Private Office D1</b>				<b>1 129.95 \$</b>



### PARTICULARITY OF THE COLLECTION

The full range of Expansion products includes more than 26 000 combinable and interchangeable components throughout the office, whether you are looking for individual work desks, executive desks or a conference room.

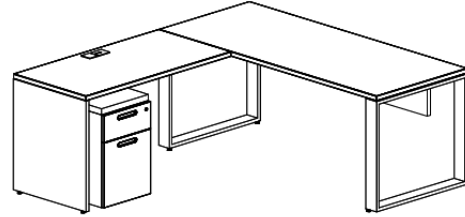
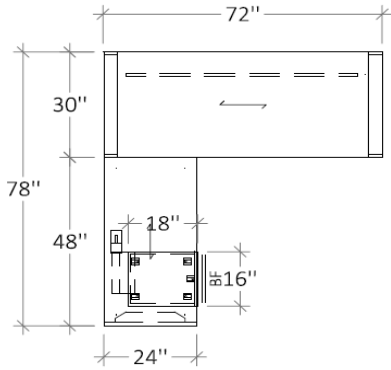
- Modesty panel in low pressure laminate, perforated aluminium, glass and felt
- Reversible furniture with surface including machine screws ensuring product durability
- Finish to be determine see finish at the end
- Grommet color available is Crisp Grey (6), Platinum (7), Clear Anodized (AC), Soft Gris (B), Storm White (Q) Very White (V) & Anthracite (X)



# Private Office

## D1.2 - Standard L shaped desk

L shaped desk, mobile pedestal with cushion and modesty panel



\*This Application is available in many dimensions.



Manufacturer: **Teknion** Collection: **Expansion Casegoods & Cityline**

### Private Office D1.2

DESCRIPTION	Qty	Price list	Discount	Total price
D1.2- Standard L shaped desk mobile pedestal with cushion and modesty panel				
Main surface 30"D x 72"W high pressure laminate 1-3/16" thick with open leg no grommet BMMDWO3072N	1	1 408.00 \$	55%	633.60 \$
Rectangular Worksurface, 24"d x 48"w, Centered BMRWL2448C	1	372.00 \$	55%	167.40 \$
Rectagular Grommet BLGC	1	22.00 \$	55%	9.90 \$
Suspended Modesty Panel - Solid, 60" W X 10" H BASML6010	1	133.00 \$	55%	59.85 \$
Semi-Supported Leg - Solid, 29"h, 24"d (1-3/16") BWGLMS24	1	177.00 \$	55%	79.65 \$
Mobile Pedestal - Solid with Pulls, Box, File, 18"d x 16"w x 23"h JNFPMTBF181623	1	648.00 \$	55%	291.60 \$
Seat Cushion - Fabric, Mobile, 18"d x 16"w Fabric Grade 1 JNACUM1816	1	257.00 \$	55%	115.65 \$
<b>Total Private Office D1.2</b>				<b>1 357.65 \$</b>



#### PARTICULARITY OF THE COLLECTION

The full range of Expansion products includes more than 26 000 combinable and interchangeable components throughout the office, whether you are looking for individual work desks, executive desks or a conference room.

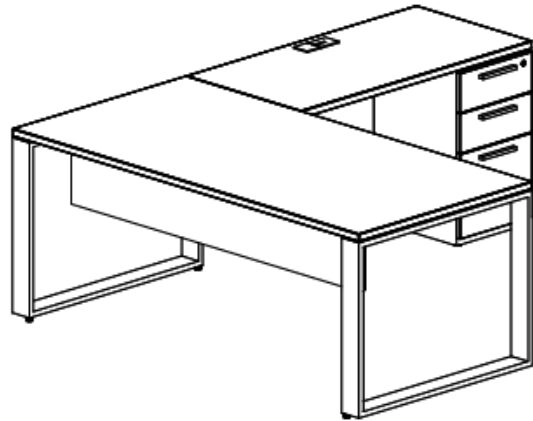
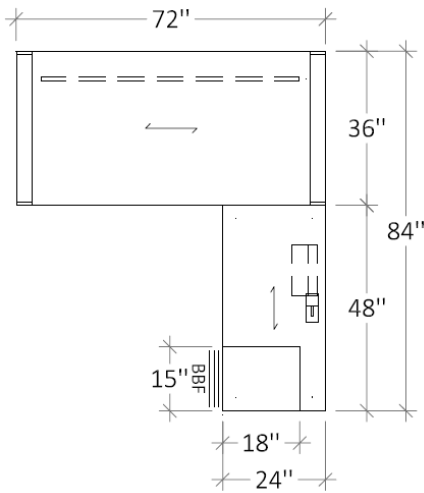
- Modesty panel in low pressure laminate, perforated aluminium, glass and felt
- Reversible furniture with surface including machine screws ensuring product durability
- Finish to be determine see finish at the end
- Grommet color available is Crisp Grey (6), Platinum (7), Clear Anodized (AC), Soft Gris (B), Storm White (Q) Very White (V) & Anthracite (X)



# Private Office

## D2 – L shaped desk private office

L shaped desk with integrated storage and recessed modesty panel



\*This Application is available in many dimensions.



Manufacturer: **Teknion** Collection: **Expansion Casegoods**

### Private Office D2

DESCRIPTION	Qty	Price list	Discount	Total price
<b>D2 - Standard L shaped desk with integrated storage and modesty panel</b>				
Main surface 36"D x 72"W high pressure laminate 1-3/16" thick with open leg no grommet BMMDWO3072N	1	1 613.00 \$	55%	725.85 \$
Rectangular Worksurface, 24"d x 48"w, Centered BMRWL2448C	1	372.00 \$	55%	167.40 \$
Rectangular Grommet BLGC	1	22.00 \$	55%	9.90 \$
Suspended Modesty Panel - Solid, 60" W X 10" H BASML6010	1	133.00 \$	55%	59.85 \$
Metal pedestal Stationary 18"D X 28"H Box, Box, File laminate Front drawer BNSPS18286612	1	576.00 \$	55%	259.20 \$
<b>Total Private Office D2</b>				<b>1 222.20 \$</b>



#### PARTICULARITY OF THE COLLECTION

The full range of Expansion products includes more than 26 000 combinable and interchangeable components throughout the office, whether you are looking for individual work desks, executive desks or a conference room.

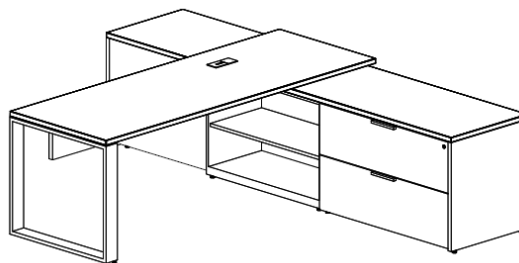
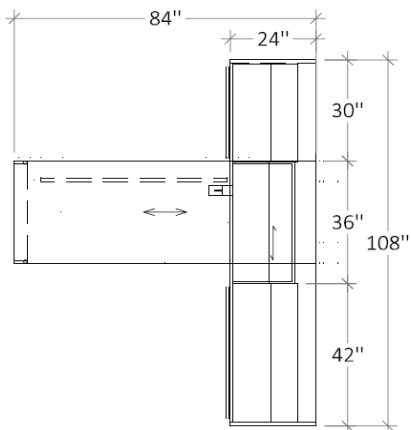
- Modesty panel in low pressure laminate, perforated aluminium, glass and felt
- Reversible furniture with surface including machine screws ensuring product durability
- Finish to be determine see finish at the end
- Grommet color available is Crisp Grey (6), Platinum (7), Clear Anodized (AC), Soft Gris (B), Storm White (Q) Very White (V) & Anthracite (X)



# Private Office

## D3 – L shaped desk private office

L shaped desk with integrated storage (extended) and modesty panel



\*This Application is available in many dimensions.



Manufacturer: **Teknion** Collection: **Expansion Casegoods**

## Private Office D3

DESCRIPTION	Qty	Price list	Discount	Total price
<b>D3 - L shaped desk with integrated storage (extended) and modesty panel</b>				
Run-Off Worksurface, 30"d x 84"w, Right - Rectangular - High Secondary Desk (1-3/16") BMMPH30084R	1	833.00 \$	55%	374.85 \$
Frame Leg - Open, 29"h, 30"d BWWOS30	1	366.00 \$	55%	164.70 \$
Secondary Desk - High, 24"d x 108"w, No Grommet (1-3/16") BMMSDH24108N	1	1 258.00 \$	55%	566.10 \$
Suspended Modesty Panel - Solid, 52" W X 10" H BASML5210	1	116.00 \$	55%	52.20 \$
Lateral File for 24"d High Sec. Desk - End Position, Not In Front of H-A Mechanism, 30"w (1-3/16") BSSLMNH2430	1	927.00 \$	55%	417.15 \$
Lateral File for 24"d High Sec. Desk - End Position, Not In Front of H-A Mechanism, 42"w (1-3/16") BSSLMNH2442	1	1 072.00 \$	55%	482.40 \$
Bookcase for 24"d High Secondary Desk - Center Position, Not In Front of H-A Mechanism, 36"w BSSOCNH2436	1	546.00 \$	55%	245.70 \$
<b>Total Private Office D3</b>				<b>2 303.10 \$</b>



### PARTICULARITY OF THE COLLECTION

The full range of Expansion products includes more than 26 000 combinable and interchangeable components throughout the office, whether you are looking for individual work desks, executive desks or a conference room.

- Modesty panel in low pressure laminate, perforated aluminium, glass and felt
- Reversible furniture with surface including machine screws ensuring product durability
- Finish to be determine see finish at the end
- Grommet color available is Crisp Grey (6), Platinum (7), Clear Anodized (AC), Soft Gris (B), Storm White (Q) Very White (V) & Anthracite (X)

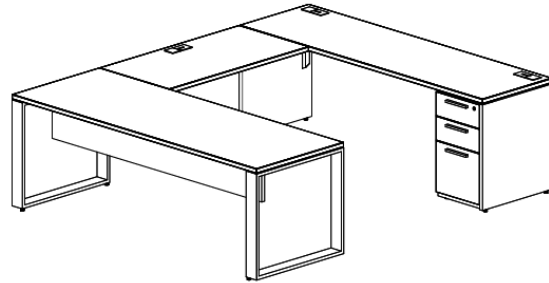
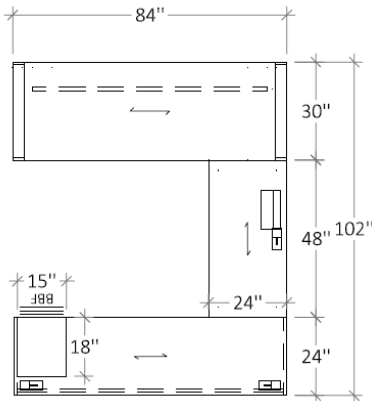




# Private Office

## D4 – U shaped desk private office

U shaped desk with integrated storage and modesty panel



\*This Application is available in many dimensions.



Manufacturer: **Teknion** Collection: **Expansion Casegoods**

### Private Office D4

DESCRIPTION	Qty	Price list	Discount	Total price
D4 - U shaped desk with integrated storage and modesty panel				
Rectangular Desk - Full Gables, Wall Access Modesty, 24"d x 84"w (1-3/16") BMRF92484	1	996.00 \$	55%	448.20 \$
Rectangular Worksurface, 24"d x 48"w, Centered Grommet (1-3/16") BMRWL2448C	1	372.00 \$	55%	167.40 \$
Table Desk - Open Frame Legs, 30"d x 84"w, No Grommet (1-3/16") BMMDWO3084N	1	1 524.00 \$	55%	685.80 \$
Suspended Modesty Panel - Solid, 72" W X 10" H BASML7210	1	154.00 \$	55%	69.30 \$
Rectangular Grommet BLGC	3	22.00 \$	55%	29.70 \$
Metal Pedestal, Stationary, 18"d x 28"h, Box, Box, File BNSPS18286612	1	576.00 \$	55%	259.20 \$
<b>Total Private Office D4</b>				<b>1 659.60 \$</b>



#### PARTICULARITY OF THE COLLECTION

The full range of Expansion products includes more than 26 000 combinable and interchangeable components throughout the office, whether you are looking for individual work desks, executive desks or a conference room.

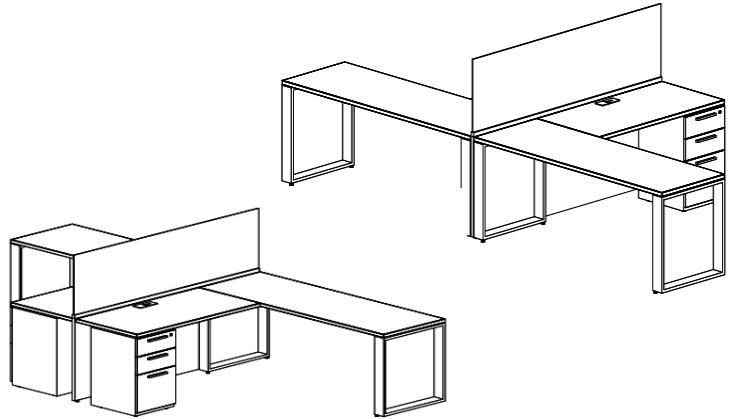
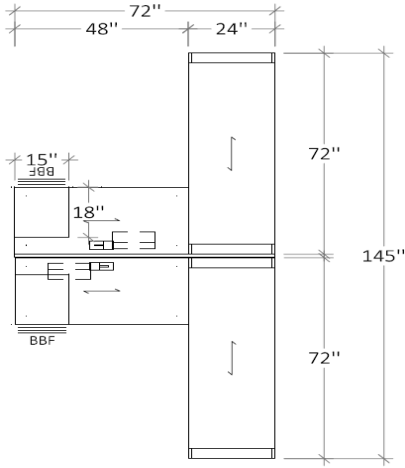
- Modesty panel in low pressure laminate, perforated aluminium, glass and felt
- Reversible furniture with surface including machine screws ensuring product durability
- Finish to be determine see finish at the end
- Grommet color available is Crisp Grey (6), Platinum (7), Clear Anodized (AC), Soft Gris (B), Storm White (Q) Very White (V) & Anthracite (X)



# Shared Office Private Office

## DS1 – Shared L shaped desk private office

L shaped desk with integrated storage and side to side frosted glass privacy panel 52”H



\*This Application is available in many dimensions.



Manufacturer: **Teknion** Collection: **Expansion Casegoods**

## Private Office DS1

DESCRIPTION	Qty	Price list	Discount	Total price
DS1 - Shared L shaped desk desk with integrated storage and side to side frosted glass privacy panel 52”H				
1" Laminate Floor Screen With 22" Glass - Lateral Connection, Right, 51"h x 72"w RPSLG512272R	1	762.00 \$	55%	342.90 \$
Rectangular Worksurface, 24"d x 48"w, Centered Grommet (1-3/16") BMRWL2448C	2	372.00 \$	55%	334.80 \$
Table Desk - Open Frame Legs, 24"d x 72"w, No Grommet (1-3/16") BMMDWO2472N	2	1 266.00 \$	55%	1 139.40 \$
Rectangular Grommet BLGC	2	22.00 \$	55%	19.80 \$
Metal Pedestal, Stationary, 18"d x 28"h, Box, Box, File BNSPS18286612	2	576.00 \$	55%	518.40 \$
<b>Total Private Office DS1</b>				<b>2 355.30 \$</b>



### PARTICULARITY OF THE COLLECTION

The full range of Expansion products includes more than 26 000 combinable and interchangeable components throughout the office, whether you are looking for individual work desks, executive desks or a conference room.

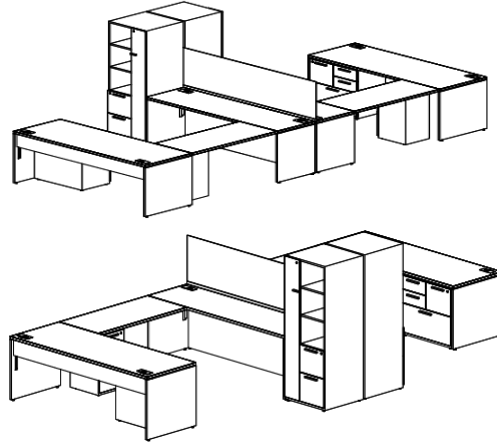
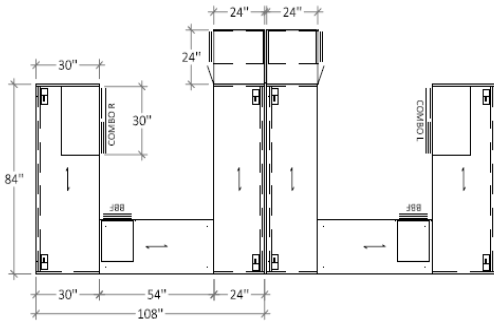
- Modesty panel in low pressure laminate, perforated aluminium, glass and felt
- Reversible furniture with surface including machine screws ensuring product durability
- Finish to be determine see finish at the end
- Grommet color available is Crisp Grey (6), Platinum (7), Clear Anodized (AC), Soft Gris (B), Storm White (Q) Very White (V) & Anthracite (X)




# Shared Office Private Office

## DS2 – Shared U shaped desk private office

U shaped desk with integrated storage and face to face frosted glass privacy panel 52”H



\*This Application is available in many dimensions. 

Manufacturer: **Teknion** Collection: **Expansion Casegoods**

### Private Office DS2

DESCRIPTION	Qty	Price list	Discount	Total price
DS2 - Shared U shaped desk with integrated storage and face to face frosted glass privacy panel 52”H				
1" Laminate Floor Screen With 22" Glass - Lateral Connection, Left, 51"h x 84"w RPSLG512284L	1	874.00 \$	55%	393.30 \$
Rectangular Desk - Full Gables, Wall Access Modesty, 24"d x 84"w (1-3/16") BMRF92484	2	996.00 \$	55%	896.40 \$
Rectangular Desk - Full Gables, Wall Access Modesty, 30"d x 84"w (1-3/16") BMRF93084	2	1 078.00 \$	55%	970.20 \$
Rectangular Worksurface, 24"d x 54"w, No Grommet (1-3/16") BMRWL2454N	2	420.00 \$	55%	378.00 \$
Rectangular Grommet BLGC	8	22.00 \$	55%	79.20 \$
Metal Pedestal, Stationary, 18"d x 28"h, Box, Box, File BNSPSP18286612	2	576.00 \$	55%	518.40 \$
Combo Pedestal, 18"d x 30"w x 28"h BSCP183028L	1	1 330.00 \$	55%	598.50 \$
Combo Pedestal, 18"d x 30"w x 28"h BSCP183028R	1	1 330.00 \$	55%	598.50 \$
Half Wardrobe Unit with File/File - Open Shelves, 24"d x 24"w x 66"h BSFO242466L	1	1 885.00 \$	55%	848.25 \$
Half Wardrobe Unit with File/File - Open Shelves, 24"d x 24"w x 66"h BSFO242466R	1	1 885.00 \$	55%	848.25 \$
<b>Total Private Office DS2</b>				<b>6 129.00 \$</b>



#### PARTICULARITY OF THE COLLECTION

The full range of Expansion products includes more than 26 000 combinable and interchangeable components throughout the office, whether you are looking for individual work desks, executive desks or a conference room.

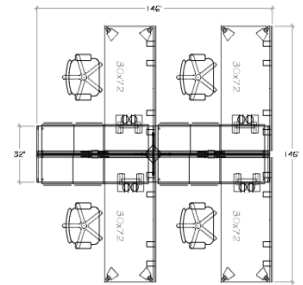
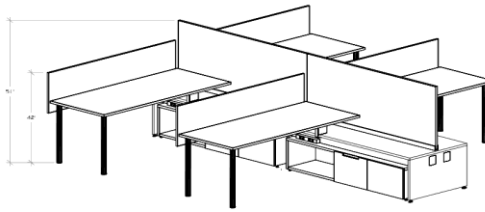
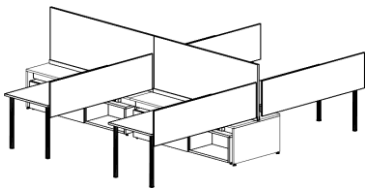
- Modesty panel in low pressure laminate, perforated aluminium, glass and felt
- Reversible furniture with surface including machine screws ensuring product durability
- Finish to be determine see finish at the end
- Grommet color available is Crisp Grey (6), Platinum (7), Clear Anodized (AC), Soft Gris (B), Storm White (Q) Very White (V) & Anthracite (X)



# Open Workstation

## W1 – L shaped workstation

L shaped desk with integrated storage privacy panel 51”H



\*This Application is available in many dimensions.



Manufacturer: Teknion Collection: UpStage, District, Cityline & Desking

### Open Workstation W1

DESCRIPTION	Qty	Price list	Discount	Total price
<b>W1 - L shaped desk with integrated storage privacy panel 52”H</b>				
Beginning Stage, 21"hx32"dx72"w, w/ Accessory Beam, Dbl Sided Power/Data Door, w/ Infeed Grommet. Stage to be 32" deep, for double application. to have a hlf height modesty with a center passthrough. Structural beam to be seperated in two and to be at the same distance from border than a complete stage. Infeed grommets to be doubled HTDB213272NEY-1525269	1	1 930.00 \$	60%	772.00 \$
Finish Stage, 21"hx32"dx72"w, w/ Accessory Beam, Double Sided Power/Data Door, w/o Infeed Grommet. Stage to be 32" deep, for double application. to have a half height modesty with a center passthrough. Structural beam to be seperated in two and to be at the same distance from border than a complete stage. Infeed grommets to be doubled HTDF213272NEY-1525275	1	1 930.00 \$	60%	772.00 \$
Post Leg, Fixed Height, Leveler. CTPLB0-1526092	8	91.00 \$	55%	327.60 \$
Perpendicular Worksurface, 30"d x 71"w, No Access Door Cutout, No Rectangle Cutout HTWP3071ANRN	4	519.00 \$	60%	830.40 \$
Stage to Worksurface Support, Fixed HTWQF	4	195.00 \$	60%	312.00 \$
Desk Edge Screen, 13"h x 71"w UNSDE1371	4	354.00 \$	60%	566.40 \$
Solid Add-On Screen - Desk-Mounted, 51"h, 72"w, Standard Width, Std Corner. To be at 51"h datum height in use with special Upstage simple stage 1525269/1525275. Screen to be 30"h. JNSASW5172SSN-1526600	2	501.00 \$	55%	450.90 \$
Stage Triple Credenza, 66"w, Cubby/File/Hinged Door, upStage Handle HTSCZ66CFHX	2	1 459.00 \$	60%	1 167.20 \$
Stage Triple Credenza, 66"w, Hinged Door/File/Cubby, upStage Handle HTSCZ66HFCX	2	1 459.00 \$	60%	1 167.20 \$
Simple Stage Power Box, Simple Stage Mounted HTEFSS	4	245.00 \$	60%	392.00 \$
Power Harness, 8 Wire Isolated Ground, 60" Length HTEBH8T060	1	167.00 \$	60%	66.80 \$
Power Harness, 8 Wire Isolated Ground, 66" Length HTEBH8T066	2	169.00 \$	60%	135.20 \$
Receptacle Style, Standard 15 Amp HTEROS	8	33.00 \$	60%	105.60 \$
Data Extender Plate HTEEE	4	26.00 \$	60%	41.60 \$
<b>Total Open Workstation W1</b>				<b>7 106.90 \$</b>



#### PARTICULARITY OF THE COLLECTION

A unique structural product, the work platform integrates a full range of desks, height-adjustable tables, storage cabinets, shelves, lockers and screens, and allows electrical circuits to be routed. All elements simply install and are compatible.

Legs available: square legs, inverted U-shaped legs and Y-shaped signature legs

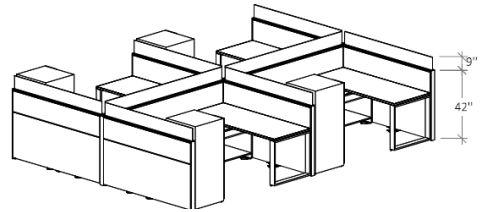
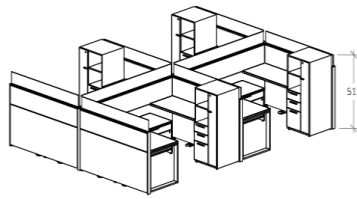
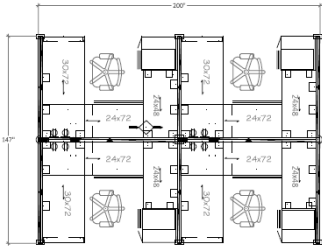
Reversible furniture with surface including mechanical screws ensuring product durability



# Open Workstation

## W2 – U shaped workstation

U shaped desk with integrated storage privacy panel 51”H (District)



\*This Application is available in many dimensions.



Manufacturer: **Teknion** Collection: **District & Casegoods**

### Open Workstation W2 District

DESCRIPTION	Qty	Price list	Discount	Total price
<b>W2 - U shaped desk with integrated storage privacy panel 52”H</b>				
Panel 72" All fabric with glass insert UYPFR TT 72	6	1 427.00 \$	60%	3 424.80 \$
Panel 96" All Fabric with glass insert with two side power UYPRF 42 TT-ELEC 2 96	2	1 798.00 \$	60%	1 438.40 \$
Panel Glass Blade for Panels with 6mm Inset Glass, 9"h x 72"w,Both Standard UYSPF0972S	6	269.00 \$	60%	645.60 \$
Panel Glass Blade for Panels with 6mm Inset Glass, 9"h x 96"w,Both Standard UYSPF0996S	2	349.00 \$	60%	279.20 \$
Panel Top Trim for Panels with Inset Glass, 72"w, Both 6mm Standard UYTT72R	6	165.00 \$	60%	396.00 \$
Panel Top Trim for Panels with Inset Glass, 96"w, Both 6mm Standard UYTT96R	2	227.00 \$	60%	181.60 \$
End Trim, 42"h UNTE42	6	83.00 \$	60%	199.20 \$
3-way 90 Degree, Flush Panels/ Full Height Windows/Convertible Panels, 42"h, With Trim UNPCR3FF421	2	171.00 \$	60%	136.80 \$
4-Way 90 Degree, 4 Flush Panels/ Full Height Windows/Convertible Panels, 42"h UNPCR4FF42	1	118.00 \$	60%	47.20 \$
Freestanding Credenza - Open with Box/File Drawers, Low, Left (Single-Sided), 24"d x 72"w RSCODLL2472	2	1 507.00 \$	55%	1 356.30 \$
Freestanding Credenza - Open with Box/File Drawers, Low, Right (Single-Sided), 24"d x 72"w RSCODLR2472	2	1 507.00 \$	55%	1 356.30 \$
Worksurface Panel Wall Bracket (1 pair) UNBP	16	57.00 \$	60%	364.80 \$
Worksurface to Tower Bracket Kit, Two Brackets UWBTBB	4	169.00 \$	60%	270.40 \$
Half Wardrobe Unit with Drawers - Open Shelves, 24"d x 24"w x 51"h, Box, Box, File RBSCO2424516612L	2	1 773.00 \$	55%	1 595.70 \$
Half Wardrobe Unit with Drawers - Open Shelves, 24"d x 24"w x 51"h, Box, Box, File RBSCO2424516612R	2	1 773.00 \$	55%	1 595.70 \$
Power Box, Double Length, Back-to-Back UNQPRDB	2	245.00 \$	60%	196.00 \$
Receptacle, Standard 15 Amp UNQROS	8	32.00 \$	60%	102.40 \$
Power Harness, 8 Wire Isolated Ground, 96" Length UNQBHR8T096	1	204.00 \$	60%	81.60 \$
Rectangular Worksurface, 24"d x 48"w, No Grommet (1-3/16") BMRWL2448N	2	405.00 \$	55%	364.50 \$
Rectangular Worksurface, 24"d x 48"w, No Grommet (1-3/16") BMRWL2448N	2	405.00 \$	55%	364.50 \$
Rectangular Worksurface, 30"d x 72"w, No Grommet (1-3/16") BMRWL3072N	2	697.00 \$	55%	627.30 \$
Rectangular Worksurface, 30"d x 72"w, No Grommet (1-3/16") BMRWL3072N	2	697.00 \$	55%	627.30 \$
Frame Leg - Open, 29"h, 30"d BWWOS30	4	366.00 \$	55%	658.80 \$
<b>Total Open Workstation W2 District</b>				<b>16 310.40 \$</b>



### PARTICULARITY OF THE COLLECTION

A unique structural product, the work platform integrates a full range of desks, height-adjustable tables, storage cabinets, shelves, lockers and screens, and allows electrical circuits to be routed. Reversible furniture with surface including mechanical screws ensuring product durability





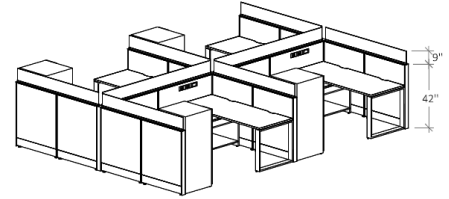
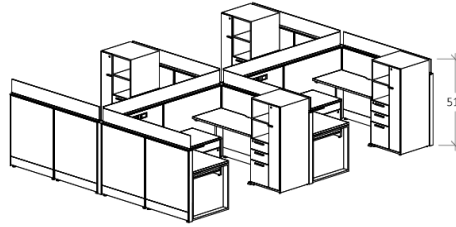
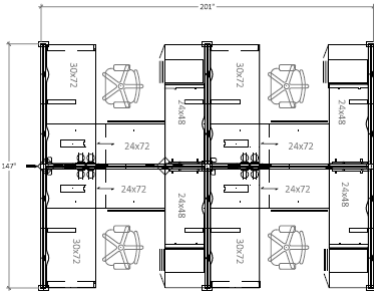
# Open Workstation

## W2 – U shaped workstation

U shaped desk with integrated storage privacy panel 51" H (Leverage)



Leverage Exposed Glass



\*This Application is available in many dimensions.



Manufacturer: **Teknion** Collection: **Leverage**

### Open Workstation W2 Leverage

DESCRIPTION	Qty	Price list	Discount	Total price
<b>W2 - U shaped desk with integrated storage privacy panel 51"H</b>				
48" Conventional panel 42" Fabric element Two side power KPWT-T-ekec 2 cotes 48	2	761.00 \$	60%	608.80 \$
36" Conventional 42" all fabric KPWT42-TT 36	12	559.00 \$	60%	2 683.20 \$
48" Conventional panel 42" all fabric KPWT42-TT 48	2	673.00 \$	60%	538.40 \$
Panel Add-On Screen - Glass, Both Standard, 9"h x 72"w KPGAS0972	6	504.00 \$	60%	1 209.60 \$
Panel Add-On Screen - Glass, Both Standard, 9"h x 96"w KPGAS0996	2	656.00 \$	60%	524.80 \$
Three-Way Connector, 42"h KCC423	2	93.00 \$	60%	74.40 \$
Four-Way Connector, 42"h KCC424	1	73.00 \$	60%	29.20 \$
Panel End Trim, 42"h KTE42	6	32.00 \$	60%	76.80 \$
Rectangular Worksurface, 24"d x 48"w KWS2448	4	363.00 \$	60%	580.80 \$
Rectangular Worksurface, 30"d x 72"w KWS3072	4	519.00 \$	60%	830.40 \$
Cantilever, 12"d CT12L	2	42.00 \$	55%	37.80 \$
Cantilever, 12"d CT12R	2	42.00 \$	55%	37.80 \$
Cantilever, 18"d CT18L	2	51.00 \$	55%	45.90 \$
C-Leg CL29L	2	174.00 \$	55%	156.60 \$
C-Leg CL29R	2	174.00 \$	55%	156.60 \$
Low Credenza to Worksurface Support, Fixed Height, o fit the exact height between a expansion desking credenza 23"high (RSCOLL) and District Worksurface. UNCPWNF-1361797	4	189.00 \$	60%	302.40 \$
Intermediate C-Leg KCML	2	248.00 \$	60%	198.40 \$
Intermediate C-Leg KCMR	2	248.00 \$	60%	198.40 \$
Corner Bracket KBC	4	34.00 \$	60%	54.40 \$
Freestanding Credenza - Open with Box/File Drawers, Low, Left (Single-Sided), 24"d x 72"w RSCODLL2472	2	1 507.00 \$	55%	1 356.30 \$
Freestanding Credenza - Open with Box/File Drawers, Low, Right (Single-Sided), 24"d x 72"w RSCODLR2472	2	1 507.00 \$	55%	1 356.30 \$
Half Wardrobe Unit with Drawers - Open Shelves, 24" d x 24" w x 51" h, Box, Box, File RBSCO2424516612L	2	1 773.00 \$	55%	1 595.70 \$
Half Wardrobe Unit with Drawers - Open Shelves, 24" d x 24" w x 51" h, Box, Box, File RBSCO2424516612R	2	1 773.00 \$	55%	1 595.70 \$
Power Harness, 8-Wire Isolated Ground, 48" long EKBH8T048	1	173.00 \$	60%	69.20 \$
Power Harness, 8-Wire Isolated Ground, 120" long EKBH8T120	1	252.00 \$	60%	100.80 \$
Power Box, Double Length EKQPD	2	189.00 \$	60%	151.20 \$
Receptacle Outlet, Standard 15 Amp EKROS	8	33.00 \$	60%	105.60 \$
Frame Leg - Open, 29"h, 30"d BWWOS30	4	366.00 \$	55%	658.80 \$

**Total Open Workstation W2 Leverage**

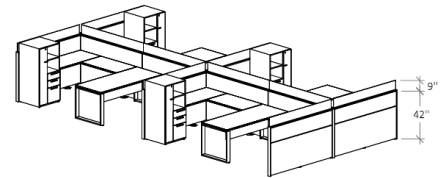
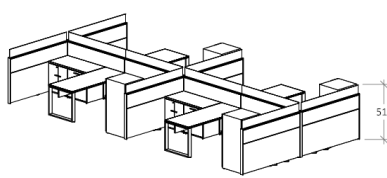
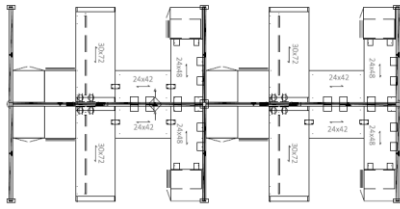
**15 334.30 \$**



# Open Workstation

## W3 – U shaped workstation (District)

U shaped desk with integrated storage privacy panel 51" H and space for guest chairs



\*This Application is available in many dimensions.



Manufacturer: **Teknion** Collection: **District**

## Open Workstation W3 District

DESCRIPTION	Qty	Price list	Discount	Total price
<b>W3 - U shaped desk with integrated storage privacy panel 51" H and space for guest chairs</b>				
Panel 72" 42" all fabric with glass insert UYTPFR42 tt 72	8	1 427.00 \$	60%	4 566.40 \$
Panel Fabric element two side power with glass insert UYPRF TT-ELEC 2 COTES 72	2	1 449.00 \$	60%	1 159.20 \$
Panel Glass Blade for Panels with 6mm Inset Glass, 9"h x 72"w, Both Standard UYSPF0972S	10	269.00 \$	60%	1 076.00 \$
Panel Top Trim for Panels with Inset Glass, 72"w, Both 6mm Standard UYTT72R	10	185.00 \$	60%	740.00 \$
End Trim, 42"h UNTE42	6	83.00 \$	60%	199.20 \$
3-way 90 Degree, Flush Panels/ Full Height Windows/Convertible Panels, 42"h, With Trim UNPCR3FF421	2	171.00 \$	60%	136.80 \$
4-Way 90 Degree, 4 Flush Panels/ Full Height UNPCR4FF42	1	118.00 \$	60%	47.20 \$
Worksurface Panel Wall Bracket (1 pair) UNBP	12	57.00 \$	60%	273.60 \$
Worksurface to Tower Bracket Kit, Two Brackets UWBTBB	4	169.00 \$	60%	270.40 \$
Flush Plate UNRF	6	37.00 \$	60%	88.80 \$
Half Wardrobe Unit with Drawers - Open Shelves, 24"d x 24"w x 51"h, Box, Box, File RBSCO2424516612L	2	1 773.00 \$	55%	1 595.70 \$
Half Wardrobe Unit with Drawers - Open Shelves, 24"d x 24"w x 51"h, Box, Box, File RBSCO2424516612R	2	1 773.00 \$	55%	1 595.70 \$
Power Box, Double Length, Back-to-Back UNQPRDB	2	245.00 \$	60%	196.00 \$
Receptacle, Standard 15 Amp UNQROS	8	32.00 \$	60%	102.40 \$
Power Harness, 8 Wire Isolated Ground, 144" Length UNQBHR8T144	1	258.00 \$	60%	103.20 \$
Rectangular Worksurface, 24"d x 42"w, No Grommet (1-3/16") BMRWL2442N	4	325.00 \$	55%	585.00 \$
Rectangular Worksurface, 24"d x 48"w, No Grommet (1-3/16") BMRWL2448N	2	405.00 \$	55%	364.50 \$
Rectangular Worksurface, 24"d x 48"w, No Grommet (1-3/16") BMRWL2448N	2	405.00 \$	55%	364.50 \$
able Desk - Open Frame Legs, 30"d x 72"w, No Grommet (1-3/16") BMMDWO3072N	4	1 408.00 \$	55%	2 534.40 \$
Suspended Modesty Panel - Solid, 60"w x 10"h BASML6010	4	133.00 \$	55%	239.40 \$
Lateral File, Two Drawers, 24"d x 24"w x 28"h BSLF242428	4	1 004.00 \$	55%	1 807.20 \$
Storage Cabinet - Solid Doors, 24"d x 24"w x 28"h BSCD242428	4	789.00 \$	55%	1 420.20 \$
Top for Solid Storage, 24"d x 48"w (1-3/16") BMSTR2448	4	420.00 \$	55%	756.00 \$

**Total Open Workstation W3 District**

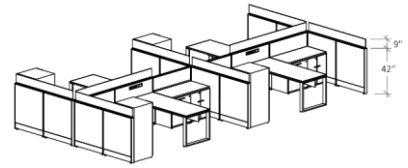
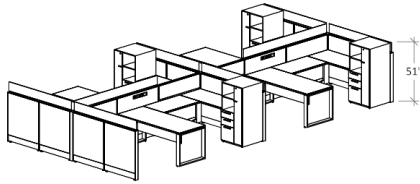
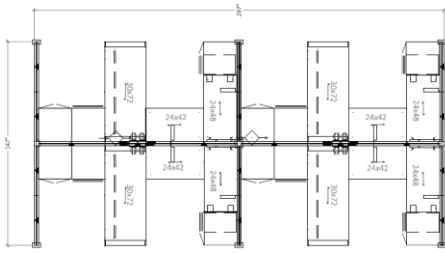
**20 221.80 \$**



# Open Workstation

## W3 – U shaped workstation (Leverage)

U shaped desk with integrated storage privacy panel 51”H and space for guest chairs



\*This Application is available in many dimensions.



Manufacturer: **Teknion** Collection: **Leverage**

### Open Workstation W3 Leverage

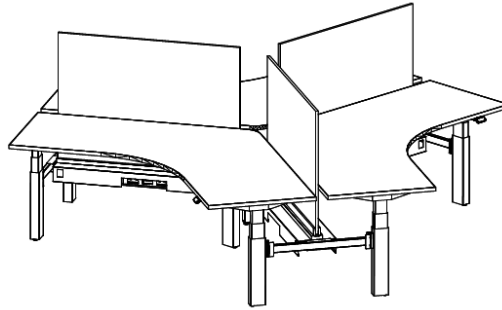
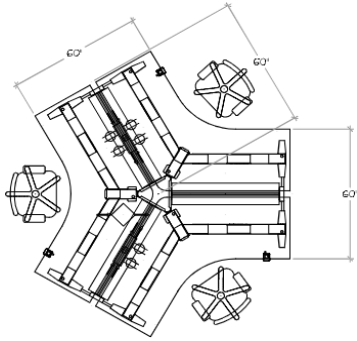
DESCRIPTION	Qty	Price list	Discount	Total price
<b>W3 - U shaped desk with integrated storage privacy panel 51”H and space for guest chairs</b>				
Panel Fabric element two side power 42" KPWT42-T-ELEC 2 cotes 48	2	761.00 \$	60%	608.80 \$
Conventional panel All fabric 42" KPWT42-TT 36	12	559.00 \$	60%	2 683.20 \$
Conventional panel All fabric 42" KPWT42-TT 48	4	673.00 \$	60%	1 076.80 \$
Panel Add-On Screen - Glass, Both Standard, 9”h x 48”w KPGAS0948	2	353.00 \$	60%	282.40 \$
Panel Add-On Screen - Glass, Both Standard, 9”h x 72”w KPGAS0972	6	504.00 \$	60%	1 209.60 \$
Panel Add-On Screen - Glass, Both Standard, 9”h x 96”w KPGAS0996	2	656.00 \$	60%	524.80 \$
Three-Way Connector, 42”h KCC423	2	93.00 \$	60%	74.40 \$
Four-Way Connector, 42”h KCC424	1	73.00 \$	60%	29.20 \$
Panel End Trim, 42”h KTE42	6	32.00 \$	60%	76.80 \$
Cantilever, 12”d CT12L	4	42.00 \$	55%	75.60 \$
Cantilever 12”d CT12R	4	42.00 \$	55%	75.60 \$
C-Leg CL29L	2	174.00 \$	55%	156.60 \$
C-Leg CL29R	2	174.00 \$	55%	156.60 \$
Worksurface to Tower Bracket Kit, Two Brackets UWBTBB	4	169.00 \$	60%	270.40 \$
Half Wardrobe Unit with Drawers - Open Shelves, 24”d x 24”w x 51”h, Box, Box, File RBSCO2424516612L	2	1 773.00 \$	55%	1 595.70 \$
Half Wardrobe Unit with Drawers - Open Shelves, 24”d x 24”w x 51”h, Box, Box, File RBSCO2424516612R	2	1 773.00 \$	55%	1 595.70 \$
Power Harness, 8-Wire Dual Isolated, 72” long EKBH8K072	1	223.00 \$	60%	89.20 \$
Power Harness, 8-Wire Isolated Ground, 144” long EKBH8T144	1	270.00 \$	60%	108.00 \$
Power Box, Double Length EKQPD	2	189.00 \$	60%	151.20 \$
Receptacle Outlet, Standard 15 Amp EKROS	8	33.00 \$	60%	105.60 \$
Rectangular Worksurface, 24”d x 48”w, No Grommet (1-3/16”) BMRWL2442N	4	325.00 \$	55%	585.00 \$
Rectangular Worksurface, 24”d x 48”w, No Grommet (1-3/16”) BMRWL2448N	2	405.00 \$	55%	364.50 \$
Rectangular Worksurface, 24”d x 48”w, No Grommet (1-3/16”) BMRWL2448N	2	405.00 \$	55%	364.50 \$
Table Desk - Open Frame Legs, 30”d x 72”w, No Grommet (1-3/16”) BMMDWO3072N	4	1 408.00 \$	55%	2 534.40 \$
Suspended Modesty Panel - Solid, 60”w x 10”h BASML6010	4	133.00 \$	55%	239.40 \$
Lateral File, Two Drawers, 24”d x 24”w x 28”h BSLF242428	4	1 004.00 \$	55%	1 807.20 \$
Storage Cabinet - Solid Doors, 24”d x 24”w x 28”h BSCD242428	4	789.00 \$	55%	1 420.20 \$
Top for Solid Storage, 24”d x 48”w (1-3/16”) BMSTR2448	4	420.00 \$	55%	756.00 \$
<b>Total Open Workstation W3 Leverage</b>				<b>19 017.40 \$</b>



# Open Workstation

## W4 – Electrified Shared Beam Workstation (Navigate)

Electrified shared Beam 120 degree Height adjustable bench



\*This Application is available in many dimensions.



Manufacturer: **Teknion** Collection: **HAB Navigate – 120 degrees STATION**

### Open Workstation W4 Navigate

DESCRIPTION	Qty	Price list	Discount	Total price
<b>W4 - Electrified Shared Beam 120 degree Height adjustable bench</b>				
Navigate 120 Frame, Extended Elec-Extd (22.6"-48.7"), 60"d x 58"w HNBFT9E6058	1	10 675.00 \$	60%	4 270.00 \$
Navigate Wire Channel, Dual Sided - Standard/120, 58"w HNBFCNB58	3	652.00 \$	60%	782.40 \$
Navigate 120 Worksurface, 29" d x 58" w, Square HNBWTN29582	3	1 005.00 \$	60%	1 206.00 \$
Navigate Fixed Center Screen - Solid, 51" h x 58" w, Inset HNBCFS5158I	3	510.00 \$	60%	612.00 \$
Wrap Around Cable Manager, Height-Adjustable Table, 52" I JNEWACH52	3	115.00 \$	55%	155.25 \$
Navigate Power Harness, 8 Wire Isolated Ground, 60" I HNBEPH8T060	1	179.00 \$	60%	71.60 \$
Navigate Power Module, Horizontal Application HNBEPMT	2	273.00 \$	60%	218.40 \$
Navigate Receptacle Outlet, Standard 15 Amp HNBEBOS	6	31.00 \$	60%	74.40 \$
<b>Total Open Workstation W4 Navigate</b>				<b>7 390.05 \$</b>



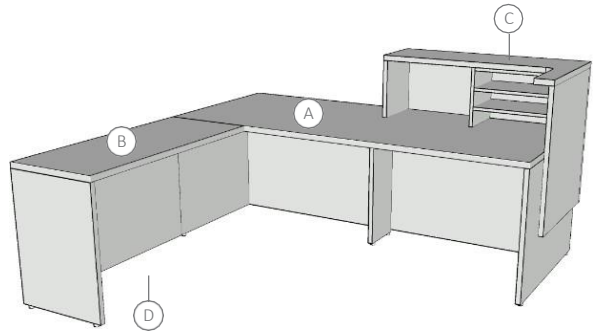
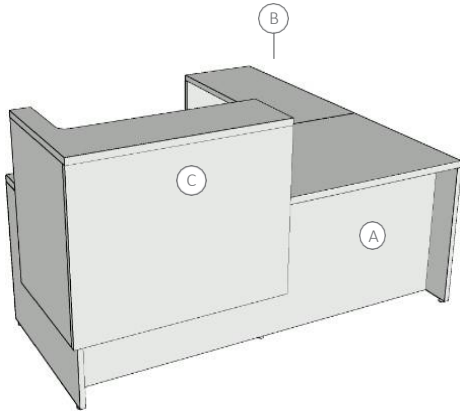
#### PARTICULARITY OF THE COLLECTION

Promote movement at work. The grouping of height-adjustable surfaces gives everyone the freedom to move as he or she wishes: the employee can alternate between sitting and standing as often as he or she wishes. The wide range of adjustable surfaces ensures a harmonious integration into any layout.

- Privacy panels and foot end trim available on request
- Divider panels: also available in glass, fabric or felt finish
- Divider panels: also available in table-mounted version on request



# Reception Desk



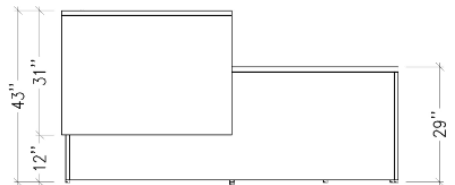
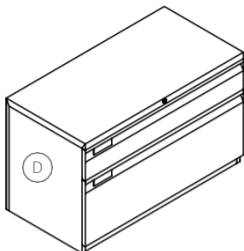
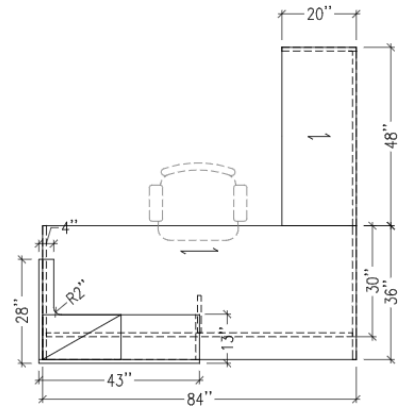
\*This Application is available in many dimensions.



Manufacturer: **Teknion** Collection: **Expansion**

Prix: **2 019.20\$**

- (A) Main surface  
36"D x 84"L High pressure laminate finish 1-3/16" thick
- (B) Return  
20"D x 48"L high pressure laminate finish 1-3/16" thick
- (C) Transaction counter in L 13"D x 43"W x 28"W x 31"H  
1-3/16" thick high-pressure laminate finish Integrated storage  
– Dovecote 12"D x 21"W x 13"H
- (D) Storage under the return  
1 utility drawer and 1 die drawer with lock  
Painted metal finish  
Dimensions: 18"D x 30"W x 20.8"H



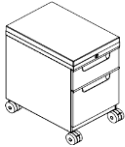


# Freestanding storage



Manufacturer: **Teknion**

Collection: **Expansion & Ledger Standard**



Model S1: Metal Mobile Pedestal

Price: **416.40\$**

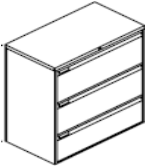
With 1 utility drawer and 1 file drawer with lock and cushion in grade 1 fabric Dimensions: 22"D x 15"W x 26"H



Model S2: Mobile Low Pressure Laminate Box

Price: **407.25\$**

With 1 utility drawer and 1 file drawer with lock and a cushion in grade 1 fabric Dimensions: 18"D x 16"W x 24"H

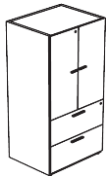


Model S3: Filing Cabinet with Three (3) Metal Filing Drawers with Lock

Price: **604.40\$**

With counterweight Dimensions: 20"D x 30"W x 41.6"H

\*Various dimensions available



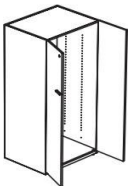
Model S4: Low Pressure Laminate Storage Cabinet

Price: **981.90\$**

With doors and 3 adjustable shelves in the top and side drawers in the bottom with lock.

Dimensions: 24"D x 36"W x 81"H

\*Various dimensions available



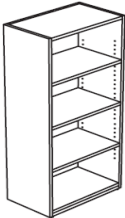
Model S5: Low Pressure Laminate Wardrobe

Price: **\$849.60**

With full-height lock doors – coat hanger function and 1 adjustable shelf at the top. Dimensions:

24"D x 36"W x 81"H

\*Various dimensions available



Model S6: Low Pressure Laminate Bookcase

Price: **440.10\$**

With 4 adjustable shelves. Dimensions: 12"D x 36"W x 72"H

\*Various dimensions available



Model S7: Low Pressure Laminate Credence

Price: **\$580.05**

2 sliding laminated doors Dimensions: 20"D x 60"W x 23"H

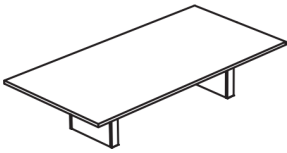
\*Various dimensions available



# Meeting Tables



Manufacturer: **Teknion** Collection: **Tables & Collaborative spaces**



Model T1: Meeting Table

Price: **\$770.85**

Rectangular bases for cable management Dimensions: 36"D x 84"W x 29"H

\*Various dimensions available



Model T2: Round High Pressure Laminate Side Table

Price: **\$242.25**

Cross base in painted metal Dimensions: 36" dia x 29"H

\*Various dimensions available



Model E3: Round High Pressure Laminate Side Table

Price: **387.90\$**

Painted metal disc base Dimensions: 42" dia x 29"H

\*Various dimensions available



Model E4: High Pressure Laminate Training Table

Price: **420.30\$**

Painted metal base on wheels Dimensions: 30"D x 60"W x 29"H

\*Various dimensions available



# Ergonomic Accessories



Manufacturer: **Teknion & Humanscale**  
Collection: **Ergonomic Accessories**



Model F1: Keyboard Holder  
Rectangular Tray



Model F2: Sitting/standing shelf  
To install on existing desktop



Model F3: Display Stand For  
One (1) Display



Model F4: Stand for Computer Tower



# Ergonomic Accessories

Height adjustable table



Manufacturer: **Teknion**

Collection: **HiSpace**

Price: **938.34\$**

## Main surface

30"D x 72"W high pressure laminate 1-3/16" thick with a grommet in the center

Height adjustable metal « C » leg with adjustment range of 22.6" - 48.7" - 3 base colors available

Anti-collision system included as standard

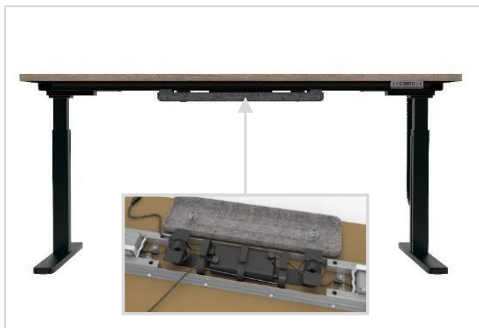
Power pak included as standard including:

- 1 cable organizer with felt cover
- 1 programmable switch with 3 programmable memory button
- 1 power cord of 15 feet

## Dimensions available:

Depth: 23", 29"

Width: 46", 52", 58", 64", 70"



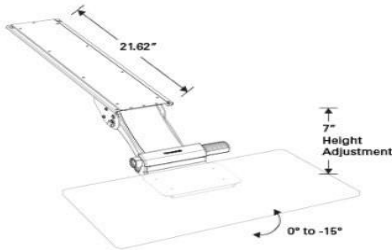
Power pack detail



# Ergonomic Accessories



Manufacturer: **Humanscale**  
Model: **6G500**  
Price: **277.00\$**



## SPECIFICATIONS

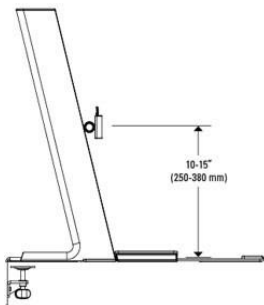
- Black/black aluminum/black polypropylene finish.
- Fits all keyboards.
- Integrated cabling management technology not apparent.
- Tilts 0 to 16 degrees.
- Equipped with an unobservable sliding mounting plate.
- Made mainly of aluminum, with steel and polypropylene.
- Adjustment range of 7".

## FINISH

- Black Aluminum Finish with Silver accents.



Manufacturer: **Humanscale**  
Model: **Quickstand Eco**  
Price: **503.00\$**



## SPECIFICATIONS

- Available in black or white finish.
- Fits all screens weighing up to 35 lbs.
- Integrated cabling management technology not apparent.
- Tilts in over 180 degrees.
- Equipped with adjustable mounting plate 75/100 Vesa Plate.
- Made mainly of aluminum, with steel and polypropylene.
- Adjustment range of 18.6".

## FINISH

- Black Gloss with Black aluminum trims.





# Ergonomic Accessories



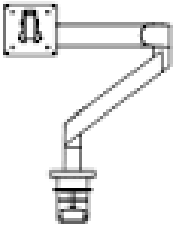
Manufacturer: **Teknion**  
Model: **Swerv YMSS1**  
Price: **158.46\$**

## SPECIFICATIONS

- Black/black aluminum finish.
- Fits all screens weighing up to 12 lbs.
- Integrated cabling management technology not apparent.
- Rotates 360 degrees with self-locking mechanism and tilts in over 180 degrees.
- Equipped with adjustable mounting plate 75/100 Vesa Plate.
- Made mainly of aluminum, with steel and polypropylene.

## FINISH

- Matte black finish with brushed aluminum trims.



Manufacturer: **Humanscale**  
Model: **CPU600**  
Price: **123.00\$**

## SPECIFICATIONS

- Brushed black/aluminum finish.
- Fits 3.5" to 9" W x 12" to 20" H CPUs, and weighs up to 50 lbs.
- Glides smoothly on nylon slides in a 16" rail.
- Rotates 360 degrees for full access to cables and ports.
- The adjustable mounting plate allows centering and balancing the CPU.
- Fast and simple tool-free installation

## FINISH

- Black finish with brushed aluminum
- Also available in white with brushed aluminum



# Lockers



District handle (standard)

\*This Application is available in many dimensions.



Manufacturer: **Teknion**  
Collection: **Ledger Plus**

## SPECIFICATIONS

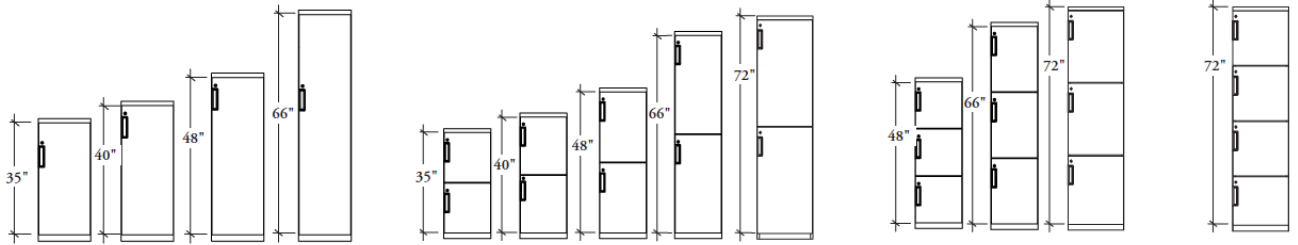
- Casing in metal.
- Doors can be specified either metal or laminate (upcharge).
- Standard District handle. Integrated handle option is available (upcharge).
- All cabinets are available 18" and 20" deep and 24", 30", 36" and 42" wide.
- Standard lock. Digital option is available (upcharge).

*Please refer to separate excel spreadsheet for pricing.*



# Lockers

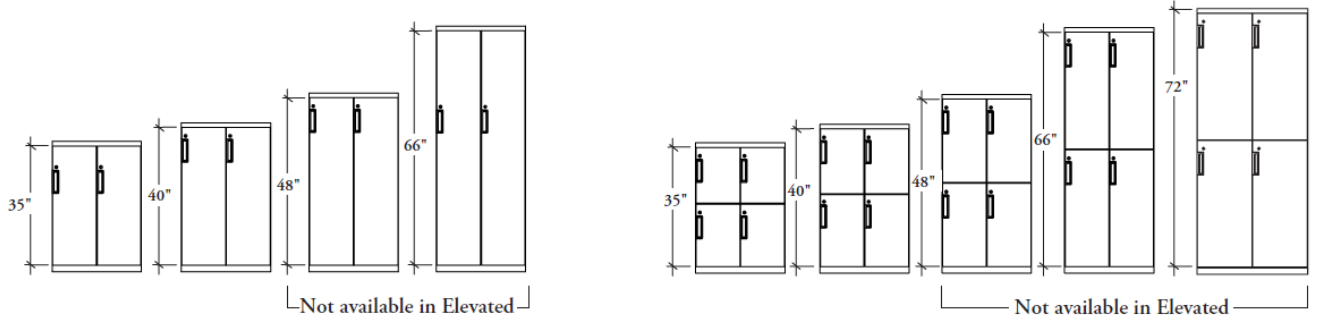
## single lockers



Single Locker Tower (PLTSS)

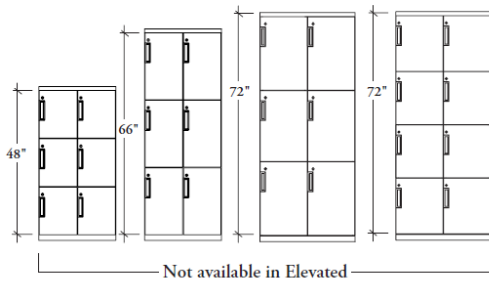
## double lockers

(Standard shown)



Dual Locker Tower (PLTDS / PLTDE)

## double lockers (continued)

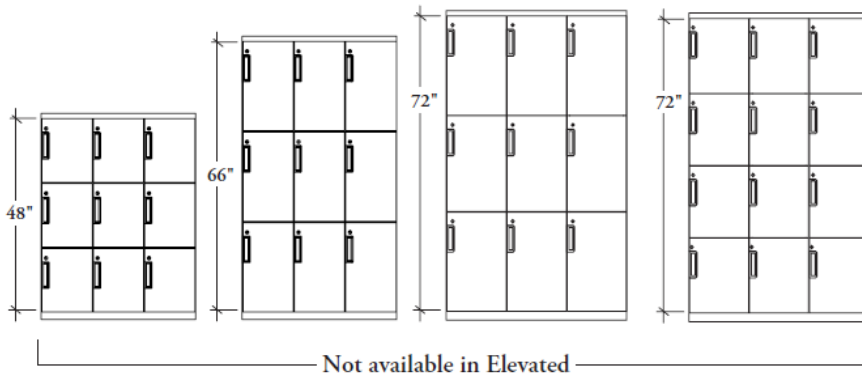
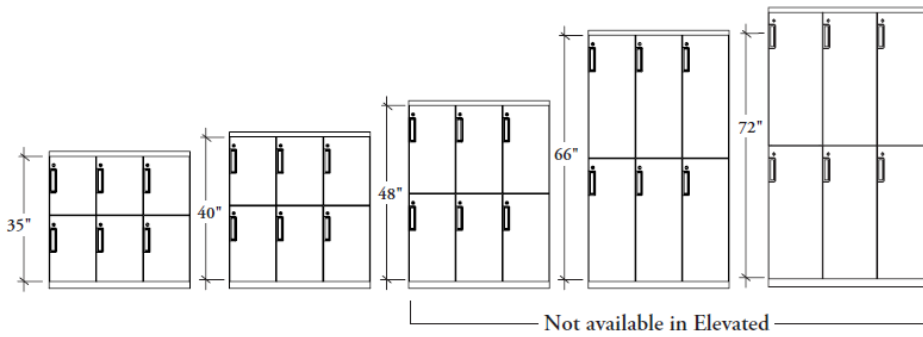
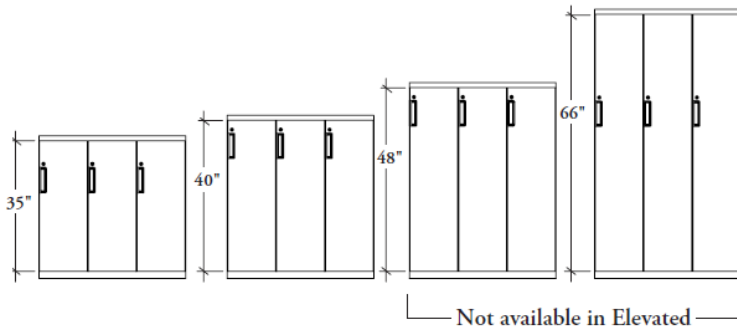


Dual Locker Tower (PLTDS / PLTDE)



# Lockers

## triple lockers



# DISCOUNTS / WARRANTIES

## Contract | Office furniture

### DISCOUNT STRUCTURE

PRODUCTS COLLECTION	CLIENT DISCOUNT
Teknion TFS (Upstage, Leverage, Filing & Storage)	- 60%
Teknion R&B (Casegood, Desking, Training) & Tables	- 55%
Teknion Seating	- 42%
Complements	- 62%
Zones	- 25%
Allseating	- 51%
Rouillard (chairs)	- 45%
Humanscale	- 55%
Humanscale QuickStand	- 50%

\*\*The discount indicated on the price schedule could be an average of several product collections and could be displayed differently on a quote, for the same selling price.

Delivery, unpacking, installation and disposal prices are included in the unit prices of furniture items. However, surcharges may apply in the following cases (non-exhaustive list):

- If there is no elevator and/or freight elevator
- Installation outside normal business hours
- When delivering back-to-back or when delivering multiple phases
- If the furniture must be disposed of at another time than the delivery of the new furniture (second trip)
- A cancellation of a delivery could generate costs

### WARRANTIES

WARRANTIES	DURATION
Teknion	Limited lifetime warranty
Allseating	12 years
Rouillard	10 years
Humanscale	Between 5 to 10 years





# GROUPE FOCUS

## Services Included

### ANALYSIS SERVICES

- Participation of account managers in planning meetings with the various internal and external stakeholders (examples: project manager, architect, designer and client administrator).
- Needs analysis, product solution proposal, quotations and advice.

### ORDER MANAGEMENT AND COORDINATION SERVICES

- Specification of products and preparation of tenders on the basis of products and contract prices.
- Development of a plan illustrating the electrical and computer management of workstations (for coordination with electricians and cable operators). If necessary, site visits for better coordination.
- Development of installation plans.
- Order processing, verification and follow-up.
- Planning execution and synchronization of commands.
- Coordination of installation site status with customer representative.
- Delivery and collection plan of used furniture agreed with the customer (1 to 1), special conditions to be validated.

### INSTALLATION AND DELIVERY SERVICES

- A detailed breakdown sheet will be available showing ecological history of recycled items.
- Collection of used furniture (1 to 1), special conditions to be validated.
- Regular schedule during regular business hours (7am to 6pm) and Saturdays (7am to 6pm).
- Access validation: reservation of the unloading dock, parking and elevator as required (via customer).

### TRAINING & FORMATION

- Training on new design trends and developments (in collaboration with manufacturers) at McGill University's design department.

### AFTER SALE ASSISTANCE

- Management and enforcement of guarantee policies.
- On-site assessment of deficiencies.



# GROUPE FOCUS

## Storage and Warehousing Services

### WAREHOUSING SERVICES

- [Temporary Storage of a New Order | Small Volume \(less than one 53-foot truck\)](#)
- Groupe Focus offers the storage service for orders of new furniture for 2 weeks free of charge when the delivery site is not ready on time. After 2 weeks, a monthly fee will apply.

PERIOD	FEES
FIRST 2 WEEKS	NO CHARGE
OVER 2 WEEKS <i>(important to note that the warranty on product deficiencies in this case applies from the initial date of delivery for 30 days)</i>	2.12\$/ sq.ft. (MONTHLY BASIS) Plus labor costs \$51.00/hour (for the handling of furniture and the management of inventories, applicable to the entry and exit of goods)

- [Temporary Storage of New Order | Large Volume \(53+ Foot Truck\)](#)
- In the event of a delay and the site is not ready to receive the goods on the agreed date as part of a larger project, a grace period of 5 days is granted. However, if the delay proves to be longer, a storage service is offered. This storage service is managed in collaboration with the manufacturer to honor the warranty on product deficiencies.

PERIOD	FEES
FIRST 5 DAYS	NO CHARGE
OVER 5 DAYS	100.00\$/ truck/ day (retroactive rate applicable from the beginning of the 5-day grace period, therefore from the initial delivery date)

- [Customer Inventory Storage](#)
- In order to meet all your furniture storage needs, a storage service for customer inventory is available. This can allow you, for example, to keep an inventory of a few standard furniture items available at all times so that you can react quickly in the event of an urgent request or simply to free up space on your premises.

PERIOD	FEES
INDEFINITE OR AS REQUIRED	\$2.12/sq. ft. (applicable monthly) Plus labor costs \$51.00/hour (for the handling of furniture and the management of inventories, applicable to the entry and exit of goods)



# GROUPE FOCUS

## Additional Services

### TEMPORARY LOAN SERVICE

In the case of the following 2 alternatives, note that the quantities and types of components are limited and variable depending on the inventory available at the time of application:

- Rental of furniture
- Useful when you need temporary furniture, for a specified period: Billable service.
  
- Recording of furniture
- Program that allows to lend furniture, without charge, the time to receive your new furniture in the event of an unforeseen in the schedule of delivery: On request, special conditions applicable and the labor costs only are billable.

### INSTALLATION & DELIVERY SERVICES (outside or normal conditions)

- Delivery and installation in the evenings from 6pm and on Sundays (double time): 102.00\$ / hour/ man
- Delivery to the floor (on foot) in the absence of elevator or freight elevator: provide 20% surcharge on the delivery agreement.
- Request for a dedicated truck on site at specific time: Weekdays from Monday to Friday after 6:00pm: \$205.00/ truck
- Saturday: \$675.00/ truck
- If furniture must be disposed of at a time other than the delivery of new furniture (2nd move):
- Minimum cost for furniture transportation to be disposed of \$160.00/truck/travel
- Delivery service back to back: \$51.00/ hour/ man (to be confirmed according to the site).
- During installation period if there are changes requested on site and they are not in accordance with the installation plan (double handling), labor will be chargeable by the hour: \$51.00/ hour/ man

### MANUAL LABOR SERVICES

For your needs in rearrangements, repairs, movements and ergonomic adjustments.

Regular hourly rate: \$51.00/ hour/ man

Hourly rate for evenings from 6pm and Sundays (double time): \$102.00/ hour/ man

Surface cutting fee: \$50.00/ cut

### COMPUTER ASSISTED DRAWING SERVICES (CAD/DAO)

Hourly rate CAD/DAO for a 4th modification or redevelopment project: \$65.00/ hour.

Fees are to be applied on all requests and processed through MMP.

### PROJECT MANAGEMENT SERVICE

On-site measurement record when AutoCAD plan is not available: \$65.00/ hour



THERE ARE SPACES THAT WE WALK  
THROUGH AND THOSE WHERE  
WE WANT TO STAY.

AND THEN THERE'S THE ONES WHO SET  
YOU APART  
AND CHANGE YOUR WORLD.

