

**Part 1 General****1.1 Summary**

- .1 Unless otherwise indicated, follow the standards below when specifying foot grilles work. These standards are not intended to restrict or replace professional judgment.

**1.2 Design Requirements**

- .1 Specify foot grille for each entrance of a building. The grille must cover the total width of the door's minimum and the length of the vestibule.
- .2 The installation of the drain shall be discussed with the Design Manager prior to the designing of the installation of the foot grille.
- .3 When installing a drain, allow easy access for cleaning and maintenance.

**Part 2 Products****2.1 Foot Grille**

- .1 Shall be anti-slippery as model BSA-1-3 as manufactured by Bolar or approved equivalent. The grille shall be aluminum 6061-T6, natural finish, argon welded. The grille shall resist to a minimal load of 520 kg/m<sup>2</sup>. Invisible supports shall be specified every 150mm in both directions. Use BSA 1-3-HL (high load) if one is not sure on the expected loads.
- .2 For excessive load for vehicles, lift-trucks, etc., the grilles shall be as model "BA-1-3-HL" as manufactured by Bolar or approved equivalent.
- .3 Each lay-in traffic trend should exceed 23kg and shall be provided with lifting bracket.

**2.2 Frame**

- .1 Shall be "Z" shaped with anti-noise cushion.
- .2 Shall be "W" shaped aluminum frame with continuous anchors.

**2.3 Pan**

- .1 Shall be stainless steel, gauge 22 with welded joints.
- .2 When a drain shall be installed, the pan shall be stainless steel, gage 14 with welded joints
- .3 Size and depth is to be coordinated on site.



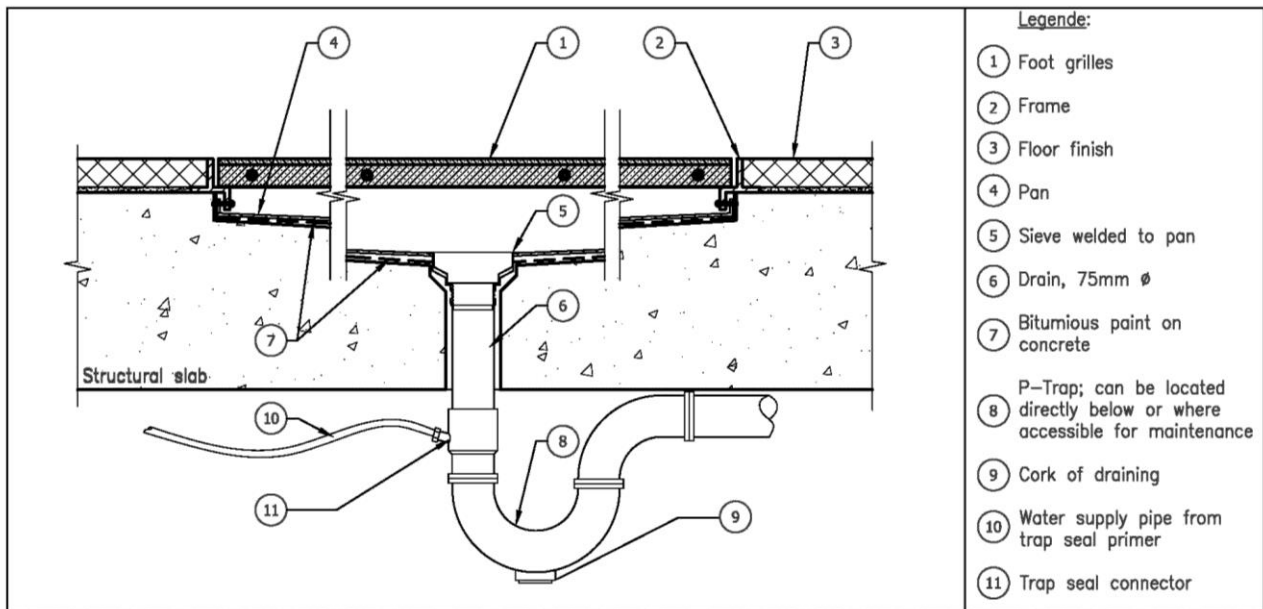
- .4 Wherever possible, install foot grills at least 10 feet (3 meters) long in the primary direction of travel to capture dirt and particulates entering the building at regularly used exterior entrances.

**2.4 Drain**

1. Drains shall be stainless steel.  
Specify the installation for a 75mm stainless steel sieve, as model "Snap-On" as manufactured by BMI, shall be installed at the bottom of pan. Drain shall be 75mm in diameter, stainless steel and shall be welded to bottom of pan. The length of the drainage

pipe shall be coordinated on site: minimum 100mm depth shall pass below the bottom of the concrete slab so as to allow junction with a mechanical joint.

2. Shall install a P-Trap with a cork of draining and shall be located so as to be accessible for maintenance.
3. Shall have trap seal primer.
4. Connect a water supply drain to trap seal so as to allow for a continuous flow through the drain.
5. Two (2) coats of flexible cement-based waterproofing membrane on concrete slabs under pan and pipe opening are required. Acceptable product: "Mapelastic315", as manufactured by Mapei, or approved equivalent.



### Part 3 Execution

#### 3.1 General

- .1 All sides of the pan that are in contact with a concrete surface must be covered with two (2) layers of flexible cement-based waterproofing membrane. Acceptable product: "Mapelastic315", as manufactured by Mapei, or approved equivalent.
- .2 The installation of the foot grille in a sand coat is forbidden. Specify levelled concrete.

**END OF SECTION**