

In the following parts list, assemblies are printed in capital letters. Parts that are included with an assembly are listed and indented directly beneath it. When an assembly is ordered, the assembly and all parts indented beneath it are included in the shipment.

When an assembly lists a letter code in the **USED ON** column, parts that list the same letter code are used in that assembly. Parts coded **A** are used in the Assembly coded **A**, parts coded **B** are used in the Assembly coded **B**, etc

| ITEM | DESCRIPTION | PART NO. | QTY | USED ON |
|--|--|-----------------------|-----|---------|
| 1 | Body (current models)..... | Not normally replaced | 1 | |
| 1A | Body (early models)..... | Not normally replaced | 1 | |
| Items 2 thru 18 are not used in this parts list. | | | | |
| 19 | PLASTIC BOWL ASSY, manual drain | 3646-53 | 1 | A |
| 19 | PLASTIC BOWL ASSY, automatic drain * | 3646-51 | 1 | B |
| 20 | • Valve, manual drain | 773-03 | 1 | A |
| 21 | • AUTOMATIC DRAIN ASSY | 3654-02 | 1 | B |
| 22 | • • O-ring, auto drain | Order item 21 | 1 | B |
| 23 | • Bowl, plastic..... | Not normally replaced | 1 | AB |
| 24 | • O-ring (service kit item) | 2315-23** | 1 | AB |
| 25 | METAL BOWL ASSY, manual drain | 3647-62 | 1 | C |
| 25 | METAL BOWL ASSY, automatic drain * | 3647-68 | 1 | D |
| 26 | • Valve, manual drain | 773-03 | 1 | C |
| 27 | • AUTOMATIC DRAIN ASSY | 3654-02 | 1 | D |
| 28 | • • O-ring, auto drain | Order item 27 | 1 | D |
| 29 | • Bowl, metal..... | Not normally replaced | 1 | CD |
| 30 | • O-ring (service kit item) | 2315-23** | 1 | CD |
| 31 | Element, black base, porous polypropylene, 5-micron (service kit item) †..... | 5726-04 | 1 | |
| | Element, green base, porous polypropylene, 40-micron (service kit item) †..... | 5726-05 | 1 | |
| | Element, red base, porous polypropylene, 100-micron (service kit item) †..... | 5726-06 | 1 | |
| 32 | Stud, used only with sintered bronze element | 3645-89 | 1 | |
| 33 | Gasket, upper, used only with sintered bronze element | 3643-02 | 1 | |
| 34 | Element, sintered bronze, 5-micron | 3627-01 | 1 | |
| | Element, sintered bronze, 25-micron | 3627-03 | 1 | |
| | Element, sintered bronze, 100-micron | 3627-02 | 1 | |
| 35 | Gasket, lower, used only with sintered bronze element | 3643-01 | 1 | |
| 36 | Louver | 5934-89 | 1 | |
| 37 | Gasket (service kit item) ††..... | 5938-01 | 1 | |

SERVICE KITS & ACCESSORIES

Porous polypropylene filter element - Includes items circled on exploded view.

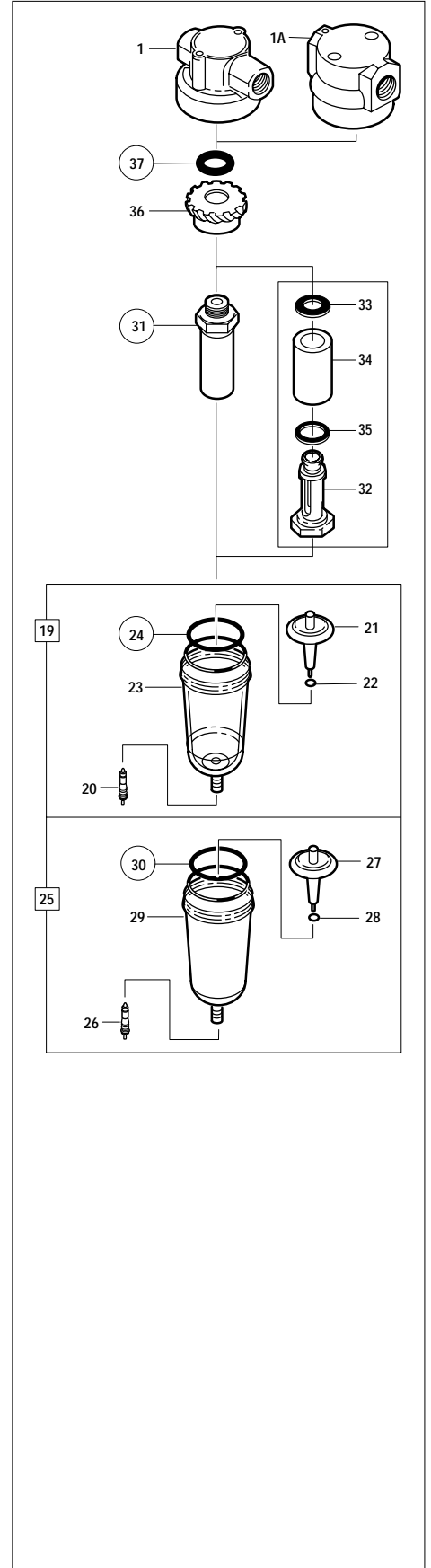
| | |
|---|---------|
| 5-micron | 3652-11 |
| 40-micron..... | 3652-10 |
| 100-micron..... | 3652-09 |
| Sintered bronze filter element - Items 24, 30, 33, 34, 35, 37 | |
| 5-micron..... | 3652-08 |
| 25-micron..... | 3652-07 |
| 100-micron..... | 3652-06 |
| Wall mounting bracket..... | 5939-06 |

* Automatic drain bowls are not suited for vacuum service.

** Current bowls use a lip on the bowl ID to retain bowl o-ring. Early bowls had a lip on the bowl OD and used a larger o-ring. Order o-ring 2315-24 for early bowls.

† Early F07 filters used a stud to secure polypropylene element to the body. Current polypropylene element (31) replaces the early element and stud.

†† Use gasket (37) with early body (1A). Also use gasket (37) with current body (1) when the sintered bronze element (34) is installed.



In the following parts list, assemblies are printed in capital letters. Parts that are included with an assembly are listed and indented directly beneath it. When an assembly is ordered, the assembly and all parts indented beneath it are included in the shipment.

When an assembly lists a letter code in the **USED ON** column, parts that list the same letter code are used in that assembly. Parts coded **A** are used in the Assembly coded **A**, parts coded **B** are used in the Assembly coded **B**, etc

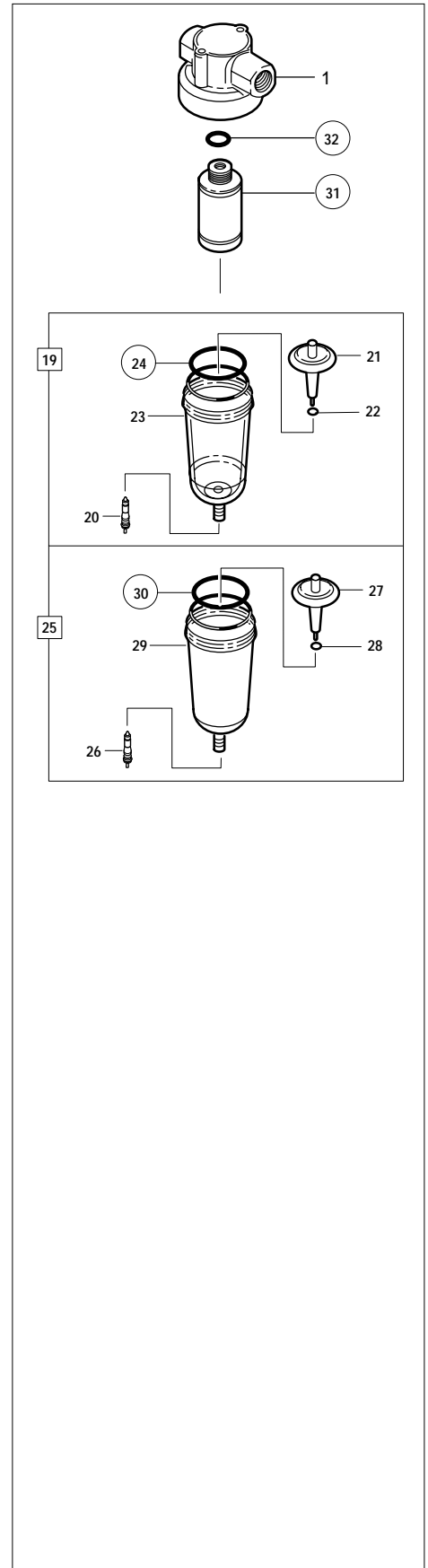
| ITEM | DESCRIPTION | PART NO. | QTY | USED ON |
|--|--|-----------------------|-----|---------|
| 1 | Body (current models)..... | Not normally replaced | 1 | |
| Items 2 thru 18 are not used in this parts list. | | | | |
| 19 | PLASTIC BOWL ASSY, manual drain | 3646-53 | 1 | A |
| 19 | PLASTIC BOWL ASSY, automatic drain * | 3646-51 | 1 | B |
| 20 | • Valve, manual drain | 773-03 | 1 | A |
| 21 | • AUTOMATIC DRAIN ASSY | 3654-02 | 1 | B |
| 22 | • O-ring, auto drain | Order item 21 | 1 | B |
| 23 | • Bowl, plastic..... | Not normally replaced | 1 | AB |
| 24 | • O-ring (service kit item) | 2315-23** | 1 | AB |
| 25 | METAL BOWL ASSY, manual drain | 3647-62 | 1 | C |
| 25 | METAL BOWL ASSY, automatic drain * | 3647-68 | 1 | D |
| 26 | • Valve, manual drain | 773-03 | 1 | C |
| 27 | • AUTOMATIC DRAIN ASSY | 3654-02 | 1 | D |
| 28 | • O-ring, auto drain | Order item 27 | 1 | D |
| 29 | • Bowl, metal | Not normally replaced | 1 | CD |
| 30 | • O-ring (service kit item) | 2315-23** | 1 | CD |
| 31 | ELEMENT ASSY | 665-75 | 1 | |
| 32 | O-ring | 422-01 | 1 | |

SERVICE KITS & ACCESSORIES

Filter element - Includes items circled on exploded view.4141-10
 Wall mounting bracket.....5939-06

* Automatic drain bowls are not suited for vacuum service.

** Current bowls use a lip on the bowl ID to retain bowl o-ring. Early bowls had a lip on the bowl OD and used a larger o-ring. Order o-ring 2315-24 for early bowls.

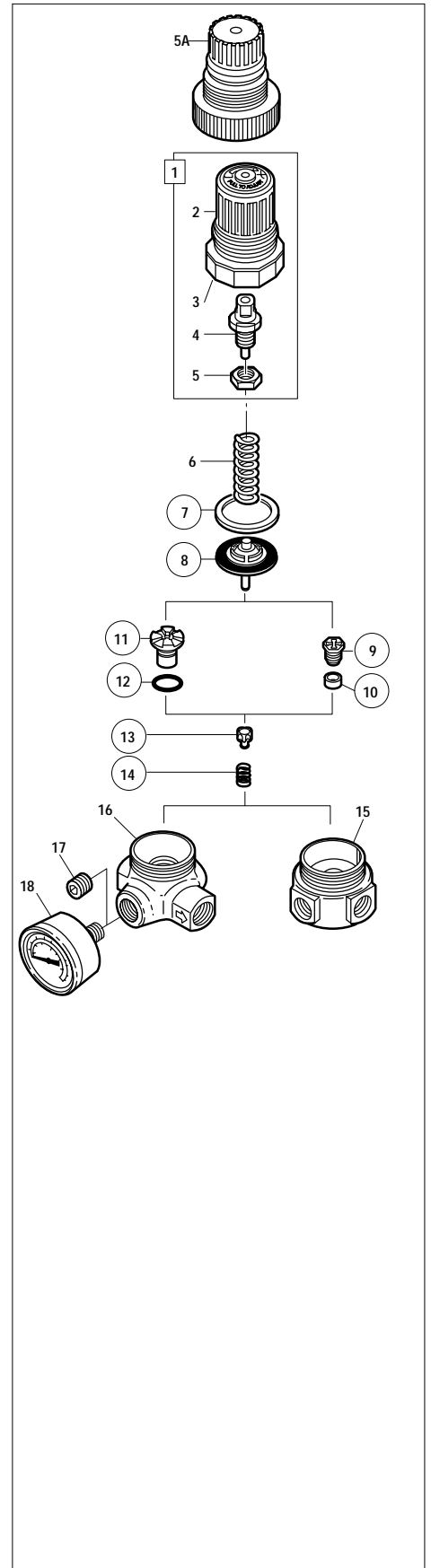


In the following parts list, assemblies are printed in capital letters. Parts that are included with an assembly are listed and indented directly beneath it. When an assembly is ordered, the assembly and all parts indented beneath it are included in the shipment.

| ITEM | DESCRIPTION | PART NO. | QTY |
|------|--|-----------------------|-----|
| 1 | BONNET ASSY (current models)..... | 2950-10 | 1 |
| 2 | ● Knob, adjusting..... | 2951-70 | 1 |
| 3 | ● Bonnet..... | 2950-86 | 1 |
| 4 | ● SCREW ASSY, adjusting..... | 2954-55 | 1 |
| 5 | ● ● Nut, pressure..... | 2953-05 | 1 |
| 5A | Bonnet (early models)..... | Replaced by item 1 | 1 |
| 6 | Spring, regulating, 0,1 to 0,7 bar (1 to 10 psig)..... | 2069-02 | 1 |
| | Spring, regulating, 0,3 to 3,5 bar (5 to 50 psig)..... | 613-03 | 1 |
| | Spring, regulating, 0,3 to 7 bar (5 to 100 psig)..... | 2960-04 | 1 |
| 7 | Slip ring (service kit item)..... | 615-01 | 1 |
| 8 | Diaphragm, relieving (service kit item)..... | 3412-30 | 1 |
| | Diaphragm, non-relieving (service kit item)..... | 3412-31 | 1 |
| 9 | VALVE SEAT ASSY, STANDARD, (early models) (service kit item) *..... | 3402-51 | 1 |
| | VALVE SEAT ASSY, LOW FLOW, (early models) *..... | 3402-50 | 1 |
| 10 | ● Seal, (early models) (service kit item) *..... | 1956-05 | 1 |
| 11 | VALVE SEAT ASSY, STANDARD, (current models) (service kit item)*..... | 3402-57 | 1 |
| | VALVE SEAT ASSY, LOW FLOW, (current models) *..... | 3402-56 | 1 |
| 12 | ● O-ring, (current models) (service kit item)*..... | 1741-01 | 1 |
| 13 | Valve (service kit item)..... | 2959-50 | 1 |
| 14 | Spring, valve (service kit item)..... | 2799-01 | 1 |
| 15 | Body (early models)..... | Not normally replaced | 1 |
| 16 | Body (current models)..... | Not normally replaced | 1 |
| 17 | Plug, pipe, 1/8 PTF (service kit item)..... | 2338-08 | 2 |
| | Plug, pipe, ISO Rc 1/8 (service kit item)..... | 2338-99 | 2 |
| 18 | Gage, pressure, 1/8 PTF, 2 bar (30 psig)..... | 18-013-214 | 1 |
| | Gage, pressure, 1/8 PTF, 4 bar (60 psig)..... | 18-013-211 | 1 |
| | Gage, pressure, 1/8 PTF, 10 bar (150 psig)..... | 18-013-212 | 1 |
| | Gage, pressure, ISO R1/8, 4 bar (60 psig)..... | 18-013-990 | 1 |
| | Gage, pressure, ISO R1/8, 10 bar (150 psig)..... | 18-013-989 | 1 |
| | Gage, pressure, ISO R1/8, 25 bar (300 psig)..... | 18-013-908 | 1 |

SERVICE KITS & ACCESSORIES

| | | |
|--|------------|--|
| Service kit for regulators with standard valve seat (items circled on exploded view) * | | |
| Relieving regulators..... | 3407-02 | |
| Nonrelieving regulators..... | 3407-01 | |
| Kit, pipe plug, 1/8 PTF - item 24 - contains two..... | 3723-01 | |
| Kit, pipe plug, ISO R1/8 - item 24 - contains two..... | 3723-06 | |
| Wall mounting bracket..... | 5095-17 | |
| Wall mounting bracket & plastic panel nut..... | 18-025-003 | |
| Plastic panel nut..... | 2962-89 | |
| Metal panel nut..... | 2962-04 | |
| Tamper resistant locking screw and adjusting knob (current models)..... | 18-001-092 | |
| Tamper resistant locking screw (current models)..... | 6097-08 | |
| Tamper resistant seal wire (early models)..... | 2117-01 | |



* Kit contains early and current valve seats (9, 11) and seals (10, 12). Replace used seat and seal with identical parts from the kit. Use valve seat & o-ring (9,10) only in body style 15. Use valve seat & o-ring (11, 12) only in body style 16.

In the following parts list, assemblies are printed in capital letters. Parts that are included with an assembly are listed and indented directly beneath it. When an assembly is ordered, the assembly and all parts indented beneath it are included in the shipment.

When an assembly lists a letter code in the **USED ON** column, parts that list the same letter code are used in that assembly. Parts coded **A** are used in the Assembly coded **A**, parts coded **B** are used in the Assembly coded **B**, etc.

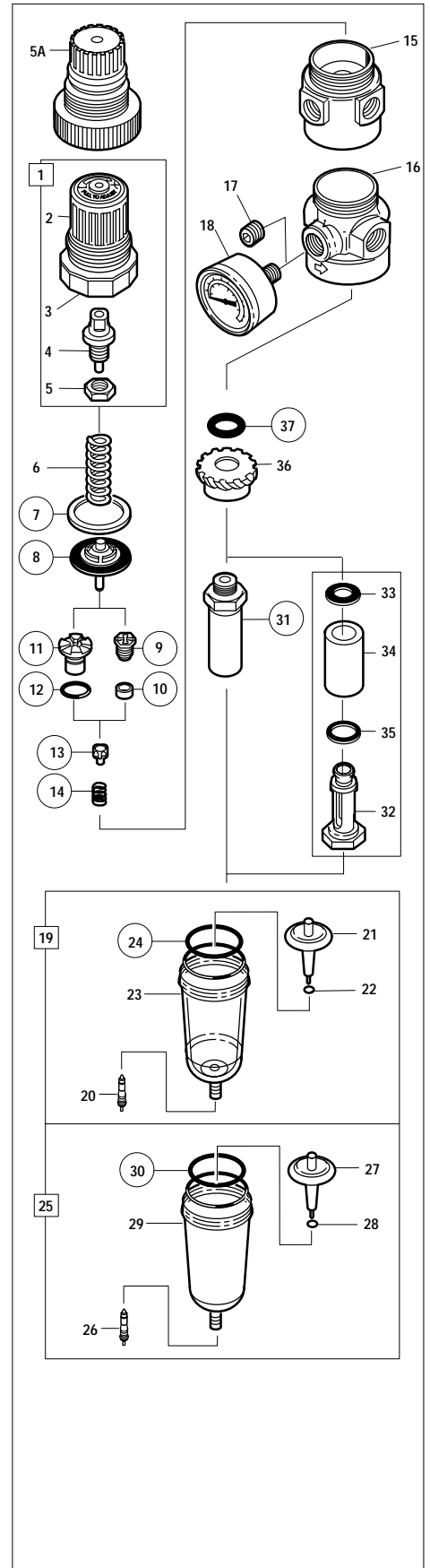
| ITEM | DESCRIPTION | PART NO. | QTY | USED ON |
|---|---|-----------------------|-----|-----------|
| 1 | BONNET ASSY (current models) | 2950-10 | 1 | |
| 2 | • Knob, adjusting | 2951-70 | 1 | |
| 3 | • Bonnet | 2950-86 | 1 | |
| 4 | • SCREW ASSY, adjusting | 2954-55 | 1 | |
| 5 | • Nut, pressure | 2953-05 | 1 | |
| 5A | Bonnet (early models) | Replaced by item 1 | 1 | |
| 6 | Spring, regulating, 0,1 to 0,7 bar (1 to 10 psig) | 2069-02 | 1 | |
| | Spring, regulating, 0,3 to 3,5 bar (5 to 50 psig) | 613-03 | 1 | |
| | Spring, regulating, 0,3 to 7 bar (5 to 100 psig) | 2960-04 | 1 | |
| 7 | Slip ring (service kit item) | 615-01 | 1 | |
| 8 | Diaphragm, relieving (service kit item) | 3412-30 | 1 | |
| | Diaphragm, non-relieving (service kit item) | 3412-31 | 1 | |
| 9 | VALVE SEAT ASSY (early models) (service kit item) * | 3402-51 | 1 | |
| 10 | • Seal, (early models) (service kit item) * | 1956-05 | 1 | |
| 11 | VALVE SEAT ASSY, (current models) (service kit item)** | 3402-57 | 1 | |
| 12 | • O-ring, (current models) (service kit item)** | 1741-01 | 1 | |
| 13 | Valve (service kit item) | 2959-50 | 1 | |
| 14 | Spring, valve (service kit item) | 2799-01 | 1 | |
| 15 | Body (early models) | Not normally replaced | 1 | |
| 16 | Body (current models) | Not normally replaced | 1 | |
| 17 | Plug, pipe, 1/8 PTF (service kit item) | 2338-08 | 2 | |
| | Plug, pipe, ISO Rc 1/8 (service kit item) | 2338-99 | 2 | |
| 18 | Gage, pressure, 1/8 PTF, 2 bar (30 psig) | 18-013-214 | 1 | |
| | Gage, pressure, 1/8 PTF, 4 bar (60 psig) | 18-013-211 | 1 | |
| | Gage, pressure, 1/8 PTF, 10 bar (150 psig) | 18-013-212 | 1 | |
| | Gage, pressure, ISO R1/8, 4 bar (60 psig) | 18-013-990 | 1 | |
| | Gage, pressure, ISO R1/8, 10 bar (150 psig) | 18-013-989 | 1 | |
| | Gage, pressure, ISO R1/8, 25 bar (300 psig) | 18-013-908 | 1 | |
| 19 | PLASTIC BOWL ASSY, manual drain | 3646-53 | 1 | A |
| 19 | PLASTIC BOWL ASSY, automatic drain | 3646-51 | 1 | B |
| 20 | • Valve, manual drain | 773-03 | 1 | A |
| 21 | • AUTOMATIC DRAIN ASSY | 3654-02 | 1 | B |
| 22 | • O-ring, auto drain | Order item 21 | 1 | B |
| 23 | • Bowl, plastic | Not normally replaced | 1 | AB |
| 24 | • O-ring (service kit item) | 2315-23†† | 1 | AB |
| 25 | METAL BOWL ASSY, manual drain | 3647-62 | 1 | C |
| 25 | METAL BOWL ASSY, automatic drain | 3647-68 | 1 | D |
| 26 | • Valve, manual drain | 773-03 | 1 | C |
| 27 | • AUTOMATIC DRAIN ASSY | 3654-02 | 1 | D |
| 28 | • O-ring, auto drain | Order item 27 | 1 | D |
| 29 | • Bowl, metal | Not normally replaced | 1 | CD |
| 30 | • O-ring (service kit item) | 2315-23†† | 1 | CD |
| 31 | Element, black base, porous polypropylene, 5-micron (service kit item) † | 5726-04 | 1 | |
| | Element, green base, porous polypropylene, 40-micron (service kit item) † | 5726-05 | 1 | |
| | Element, red base, porous polypropylene, 100-micron (service kit item) † | 5726-06 | 1 | |
| 32 | Stud, used only with sintered bronze element | 3645-89 | 1 | |
| 33 | Gasket, upper, used only with sintered bronze element | 3643-02 | 1 | |
| 34 | Element, sintered bronze, 5-micron | 3627-01 | 1 | |
| | Element, sintered bronze, 25-micron | 3627-03 | 1 | |
| | Element, sintered bronze, 100-micron | 3627-02 | 1 | |
| 35 | Gasket, lower, used only with sintered bronze element | 3643-01 | 1 | |
| 36 | Louver | 5934-89 | 1 | |
| 37 | Gasket (service kit item) * | 5938-01 | 1 | |
| SERVICE KITS & ACCESSORIES | | | | |
| Service kit, relieving - includes items circled on exploded view. | | | | |
| | 5-micron polypropylene | 3820-02 | | |
| | 40-micron polypropylene | 3820-04 | | |
| Service kit, non-relieving - includes items circled on exploded view. | | | | |
| | 5-micron polypropylene | 3820-01 | | |
| | 40-micron polypropylene | 3820-03 | | |
| | 100-micron polypropylene | 3820-10 | | |
| | Kit, pipe plug, 1/8 PTF - item 17 - contains two | 3723-01 | | |
| | Kit, pipe plug, ISO R1/8 - item 17 - contains two | 3723-06 | | |
| | Wall mounting bracket | 5095-17 | | |
| | Wall mounting bracket & plastic panel nut | 18-025-003 | | |
| | Plastic panel nut | 2962-89 | | |
| | Metal panel nut | 2962-04 | | |
| | Tamper resistant locking screw and adjusting knob (current models) | 18-001-092 | | |
| | Tamper resistant locking screw (current models) | 6097-08 | | |
| | Tamper resistant seal wire (early models) | 2117-01 | | |

* Use valve seat (9), seal (10), and gasket (37) with early body (15). Also use gasket (37) with current body (16) when the sintered bronze element (34) is installed.

** Use valve seat and o-ring (11, 12) only with current body style (16).

† Early B07 filter/regulators used a stud to secure polypropylene element to the body. Current element (31) replaces the early element and stud.

†† Current bowls use a lip on the bowl ID to retain bowl o-ring. Early bowls had a lip on the bowl OD and used a larger o-ring. Order o-ring 2315-24 for early bowls



In the following parts list, assemblies are printed in capital letters. Parts that are included with an assembly are listed and indented directly beneath it. When an assembly is ordered, the assembly and all parts indented beneath it are included in the shipment.

When an assembly lists a letter code in the **USED ON** column, parts that list the same letter code are used in that assembly. Parts coded **A** are used in the Assembly coded **A**, parts coded **B** are used in the Assembly coded **B**, etc.

| ITEM | DESCRIPTION | PART NO. | QTY | USED ON |
|------|--|-----------------------|-----|---------|
| 1 | BONNET ASSY (current models) | 2950-10 | 1 | |
| 2 | • Knob, adjusting | 2951-70 | 1 | |
| 3 | • Bonnet | 2950-86 | 1 | |
| 4 | • SCREW ASSY, adjusting | 2954-55 | 1 | |
| 5 | • • Nut, pressure | 2953-05 | 1 | |
| 5A | Bonnet (early models) | Replaced by item 1 | 1 | |
| 6 | Spring, regulating, 0,1 to 0,7 bar (1 to 10 psig) | 2069-02 | 1 | |
| | Spring, regulating, 0,3 to 3,5 bar (5 to 50 psig) | 613-03 | 1 | |
| | Spring, regulating, 0,3 to 7 bar (5 to 100 psig) | 2960-04 | 1 | |
| 7 | Slip ring (service kit item) | 615-01 | 1 | |
| 8 | Diaphragm, relieving (service kit item) | 3412-30 | 1 | |
| | Diaphragm, non-relieving (service kit item) | 3412-31 | 1 | |
| 9 | VALVE SEAT ASSY (early models) (service kit item) * | 3402-50 | 1 | |
| 10 | • Seal, (early models) (service kit item) * | 1956-05 | 1 | |
| 11 | VALVE SEAT ASSY, (current models) (service kit item)** | 3402-57 | 1 | |
| 12 | • O-ring, (current models) (service kit item)** | 1741-01 | 1 | |
| 13 | Valve (service kit item) | 2959-50 | 1 | |
| 14 | Spring, valve (service kit item) | 2799-01 | 1 | |
| 15 | Body (early models) | Not normally replaced | 1 | |
| 16 | Body (current models) | Not normally replaced | 1 | |
| 17 | Plug, pipe, 1/8 PTF (service kit item) | 2338-08 | 2 | |
| | Plug, pipe, ISO Rc 1/8 (service kit item) | 2338-99 | 2 | |
| 18 | Gage, pressure, 1/8 PTF, 2 bar (30 psig) | 18-013-214 | 1 | |
| | Gage, pressure, 1/8 PTF, 4 bar (60 psig) | 18-013-211 | 1 | |
| | Gage, pressure, 1/8 PTF, 10 bar (150 psig) | 18-013-212 | 1 | |
| | Gage, pressure, ISO R1/8, 4 bar (60 psig) | 18-013-990 | 1 | |
| | Gage, pressure, ISO R1/8, 10 bar (150 psig) | 18-013-989 | 1 | |
| | Gage, pressure, ISO R1/8, 25 bar (300 psig) | 18-013-908 | 1 | |
| 19 | PLASTIC BOWL ASSY, manual drain | 3646-53 | 1 | A |
| 19 | PLASTIC BOWL ASSY, automatic drain | 3646-51 | 1 | B |
| 20 | • Valve, manual drain | 773-03 | 1 | A |
| 21 | • AUTOMATIC DRAIN ASSY | 3654-02 | 1 | B |
| 22 | • • O-ring, auto drain | Order item 21 | 1 | B |
| 23 | • Bowl, plastic | Not normally replaced | 1 | AB |
| 24 | • O-ring (service kit item) † | 2315-23 | 1 | AB |
| 25 | METAL BOWL ASSY, manual drain | 3647-62 | 1 | C |
| 25 | METAL BOWL ASSY, automatic drain | 3647-68 | 1 | D |
| 26 | • Valve, manual drain | 773-03 | 1 | C |
| 27 | • AUTOMATIC DRAIN ASSY | 3654-02 | 1 | D |
| 28 | • • O-ring, auto drain | Order item 27 | 1 | D |
| 29 | • Bowl, metal | Not normally replaced | 1 | CD |
| 30 | • O-ring (service kit item) † | 2315-23 | 1 | CD |
| 31 | ELEMENT ASSY (service kit item) | 665-75 | 1 | |
| 32 | • O-ring (service kit item) | 422-01 | 1 | |

SERVICE KITS & ACCESSORIES

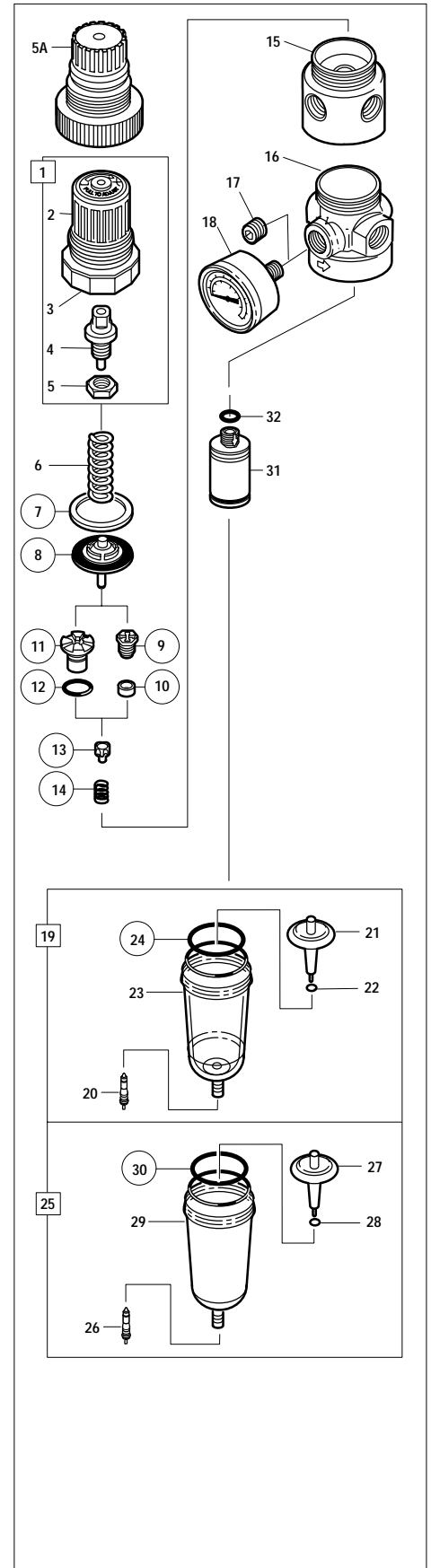
Service kit - includes items circled on exploded view.

| | |
|--|------------|
| Relieving | 3407-66 |
| Non-relieving | 3407-65 |
| Element kit - items 24, 30, 31, 32 | 4141-10 |
| Kit, pipe plug, 1/8 PTF - item 17 - contains two | 3723-01 |
| Kit, pipe plug, ISO R1/8 - item 17 - contains two | 3723-06 |
| Wall mounting bracket | 5095-17 |
| Wall mounting bracket & plastic panel nut | 18-025-003 |
| Plastic panel nut | 2962-89 |
| Metal panel nut | 2962-04 |
| Tamper resistant locking screw and adjusting knob (current models) | 18-001-092 |
| Tamper resistant locking screw (current models) | 6097-08 |
| Tamper resistant seal wire (early models) | 2117-01 |

* Use valve seat (9) and seal (10) with early body (15).

** Use valve seat (11) and o-ring (12) only with current body (16).

† Current bowls use a lip on the bowl ID to retain bowl o-ring. Early bowls had a lip on the bowl OD and used a larger o-ring. Order o-ring 2315-24 for early bowls



In the following parts list, assemblies are printed in capital letters. Parts that are included with an assembly are listed and indented directly beneath it. When an assembly is ordered, the assembly and all parts indented beneath it are included in the shipment

When the **USED ON** column lists **A**, the part is used on L07 early models.

When the **USED ON** column lists **B**, the part is used on L07 current models.

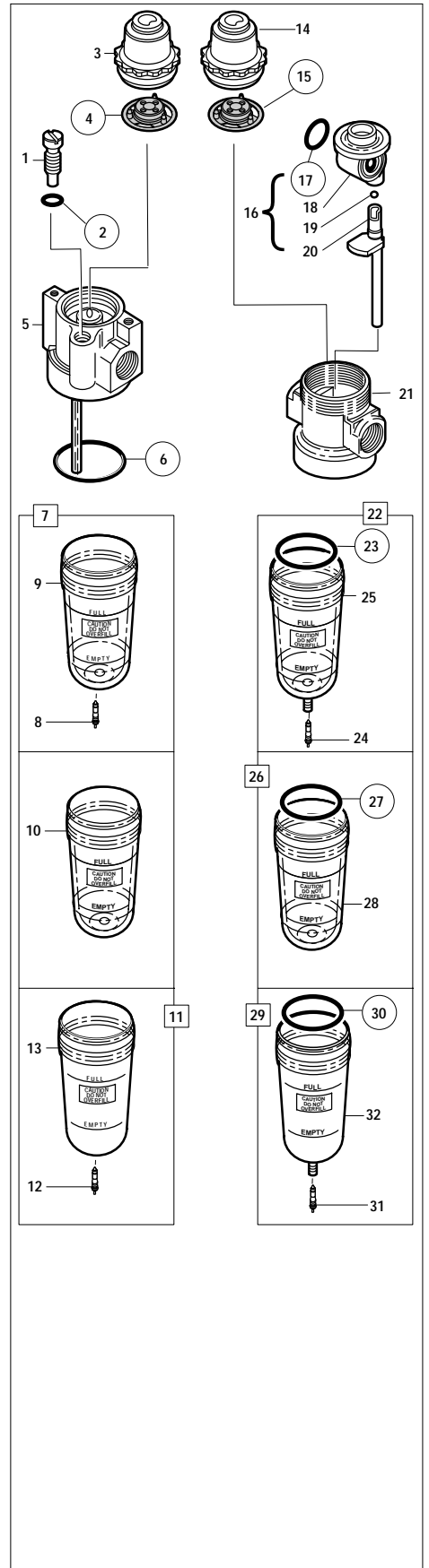
| ITEM | DESCRIPTION | PART NO. | QTY | USED ON |
|------|---|--|-----|----------|
| | L07 LUBRICATOR ASSY, EARLY MODELS | NO NUMBER | | A |
| | L07 LUBRICATOR ASSY, CURRENT MODELS | NO NUMBER | | B |
| 1 | Plug, fill..... | 6205-01 | 1 | A |
| 2 | O-ring (service kit item)..... | 705-01 | 1 | A |
| 3 | RED SIGHT FEED DOME ASSY, Plastic (Micro-fog)..... | 4055-50 | 1 | A |
| | GREEN SIGHT FEED DOME ASSY, Plastic (Oil-fog, early models only)..... | 4055-51 | 1 | A |
| 4 | ● Seal (service kit item)..... | 4052-89 | 1 | A |
| 5 | Body..... | Not normally replaced | 1 | A |
| 6 | O-ring (service kit item)..... | 2315-24 | 1 | A |
| 7 | PLASTIC BOWL ASSY, manual drain..... | 3635-63 | 1 | A |
| 8 | ● Valve, manual drain..... | 773-03 | 1 | A |
| 9 | ● Bowl, plastic..... | Not normally replaced | 1 | A |
| 10 | Plastic bowl, without drain..... | 3635-64 | 1 | A |
| 11 | METAL BOWL ASSY, manual drain..... | 3809-67 | 1 | A |
| 12 | ● Valve, manual drain..... | 773-03 | 1 | A |
| 13 | ● Bowl, metal..... | Not normally replaced | 1 | A |
| 14 | RED SIGHT FEED DOME ASSY, Plastic (Micro-fog)..... | 4055-50 | 1 | B |
| 15 | ● Seal (service kit item)..... | 4052-89 | 1 | B |
| 16 | CARTRIDGE ASSY..... | 6206-51 | 1 | B |
| 17 | ● O-ring (service kit item)..... | 2305-14 | 1 | B |
| 18 | ● Cartridge..... | Not available separately-order item 16 | 1 | B |
| 19 | ● Ball..... | 2386-03 | 1 | B |
| 20 | ● Siphon tube with baffle..... | Not available separately-order item 16 | 1 | B |
| 21 | Body..... | Not normally replaced | 1 | B |
| 22 | PLASTIC BOWL ASSY, manual drain..... | 3646-54 | 1 | B |
| 23 | ● O-ring (service kit item)..... | 2315-23 | 1 | B |
| 24 | ● Valve, manual drain..... | 773-03 | 1 | B |
| 25 | ● Bowl, plastic..... | Not normally replaced | 1 | B |
| 26 | PLASTIC BOWL ASSY, without drain..... | 3635-46R | 1 | B |
| 27 | ● O-ring (service kit item)..... | 2315-23 | 1 | B |
| 28 | ● Bowl, plastic..... | Not normally replaced | 1 | B |
| 29 | METAL BOWL ASSY, manual drain..... | 3647-61 | 1 | B |
| 30 | ● O-ring (service kit item)..... | 2315-23 | 1 | B |
| 31 | ● Valve, manual drain..... | 773-03 | 1 | B |
| 32 | ● Bowl, metal..... | Not normally replaced | 1 | B |

SERVICE KITS & ACCESSORIES

| | | |
|--|------------|----|
| Service kit - Includes items circled on exploded view..... | 3795-03 | AB |
| Wall mounting bracket..... | 5939-08 | A |
| Tamper resistant seal wire..... | 2117-01 | A |
| Wall mounting bracket..... | 5095-17 | B |
| Wall mounting bracket & plastic panel nut..... | 18-025-003 | B |
| Plastic panel nut..... | 2962-89 | B |

* Bowls (9, 10, 13) and the bowl o-ring (6) can only be used with the early body style (5). The reservoir o-ring fits on the outside diameter of reservoir.

** Bowls and bowl o-rings (23, 25), (27, 28), (30, 32) can only be used with the current body style (21). The reservoir o-ring fits on the inside diameter of reservoir.

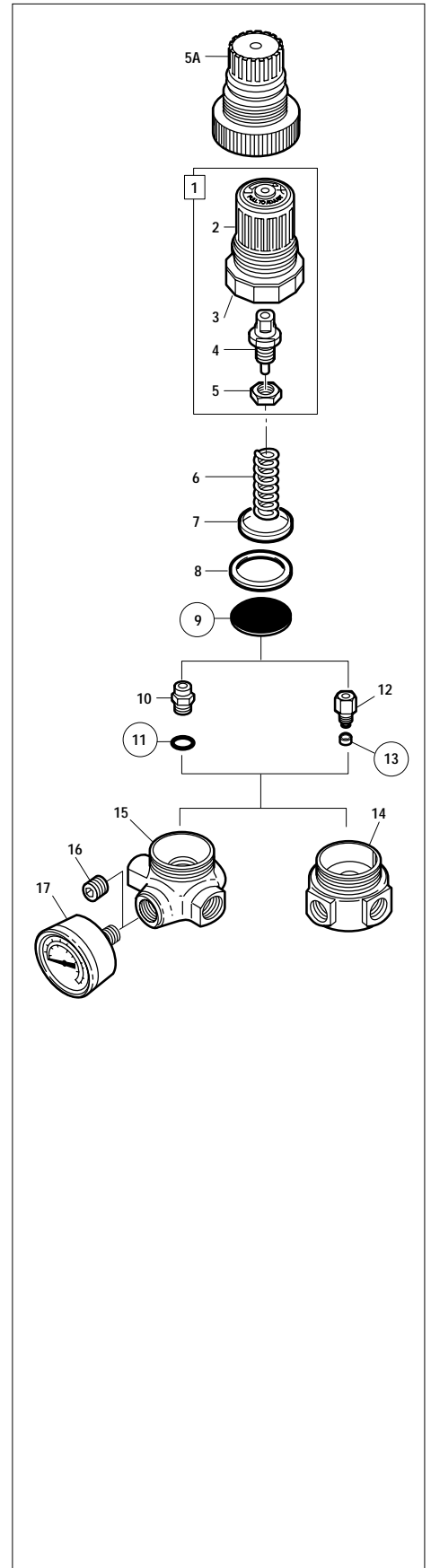


In the following parts list, assemblies are printed in capital letters. Parts that are included with an assembly are listed and indented directly beneath it. When an assembly is ordered, the assembly and all parts indented beneath it are included in the shipment.

| ITEM | DESCRIPTION | PART NO. | QTY |
|------|---|-----------------------|-----|
| 1 | BONNET ASSY (current models) | 2950-11 | 1 |
| 2 | • Knob, adjusting | 2951-72 | 1 |
| 3 | • Bonnet | 2950-86 | 1 |
| 4 | • SCREW ASSY, adjusting | 2954-55 | 1 |
| 5 | • • Nut, pressure | 2953-05 | 1 |
| 5A | Bonnet (early models) | Replaced by item 1 | 1 |
| 6 | Spring, regulating, 0,1 to 0,7 bar (1 to 10 psig) | 2069-02 | 1 |
| | Spring, regulating, 0,3 to 3,5 bar (5 to 50 psig) | 613-03 | 1 |
| | Spring, regulating, 0,3 to 7 bar (5 to 100 psig) | 2960-04 | 1 |
| 7 | Spring rest (service kit item) | 600-89 | 1 |
| 8 | Slip ring (service kit item) | 615-01 | 1 |
| 9 | Diaphragm (service kit item) | 3440-03 | 1 |
| 10 | VALVE SEAT ASSY (current models) (service kit item) * | 3439-14 | 1 |
| 11 | • O-ring (current models) (service kit item) * | 1741-01 | 1 |
| 12 | Valve seat (early models) (service kit item) * | 3439-89 | 1 |
| 13 | Gasket, (early models) (service kit item) * | 1956-05 | 1 |
| 14 | Body (early models) | Not normally replaced | 1 |
| 15 | Body (current models) | Not normally replaced | 1 |
| 16 | Plug, pipe, 1/8 PTF (service kit item) | 2338-08 | 2 |
| | Plug, pipe, ISO Rc 1/8 (service kit item) | 2338-99 | 2 |
| 17 | Gage, pressure, 1/8 PTF, 2 bar (30 psig) | 18-013-214 | 1 |
| | Gage, pressure, 1/8 PTF, 4 bar (60 psig) | 18-013-211 | 1 |
| | Gage, pressure, 1/8 PTF, 10 bar (150 psig) | 18-013-212 | 1 |
| | Gage, pressure, ISO R1/8, 4 bar (60 psig) | 18-013-990 | 1 |
| | Gage, pressure, ISO R1/8, 10 bar (150 psig) | 18-013-989 | 1 |
| | Gage, pressure, ISO R1/8, 25 bar (300 psig) | 18-013-908 | 1 |

SERVICE KITS & ACCESSORIES

| | |
|--|------------|
| Service kit (items circled on exploded view) | 3407-80 |
| Valve seat kit (items 10, 11, 12, 13) * | 3439-11 |
| Kit, pipe plug, 1/8 PTF - item 24 - contains two | 3723-01 |
| Kit, pipe plug, ISO R1/8 - item 24 - contains two | 3723-06 |
| Wall mounting bracket | 5095-17 |
| Wall mounting bracket & plastic panel nut | 18-025-003 |
| Plastic panel nut | 2962-89 |
| Metal panel nut | 2962-04 |
| Tamper resistant locking screw and adjusting knob (current models) | 18-001-094 |
| Tamper resistant locking screw (current models) | 6097-08 |
| Tamper resistant seal wire (early models) | 2117-01 |



* Valve seat kit contains early and current valve seats (10, 12) and seals (11, 13). Replace used seat and seal with identical parts from the kit. Use valve seat & o-ring (10, 11) only in body style 15. Use valve seat & gasket (12, 13) only in body style 14.