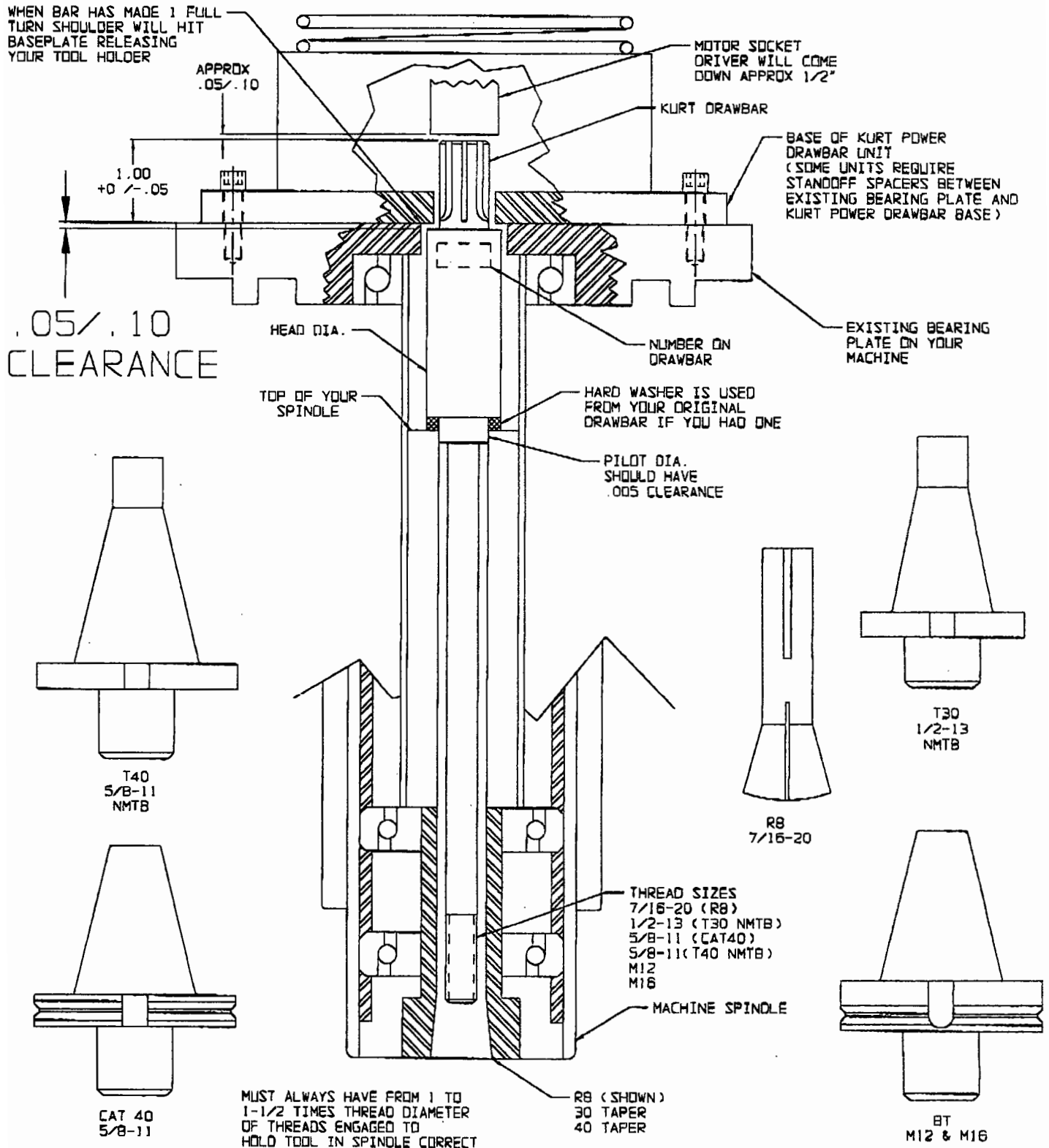


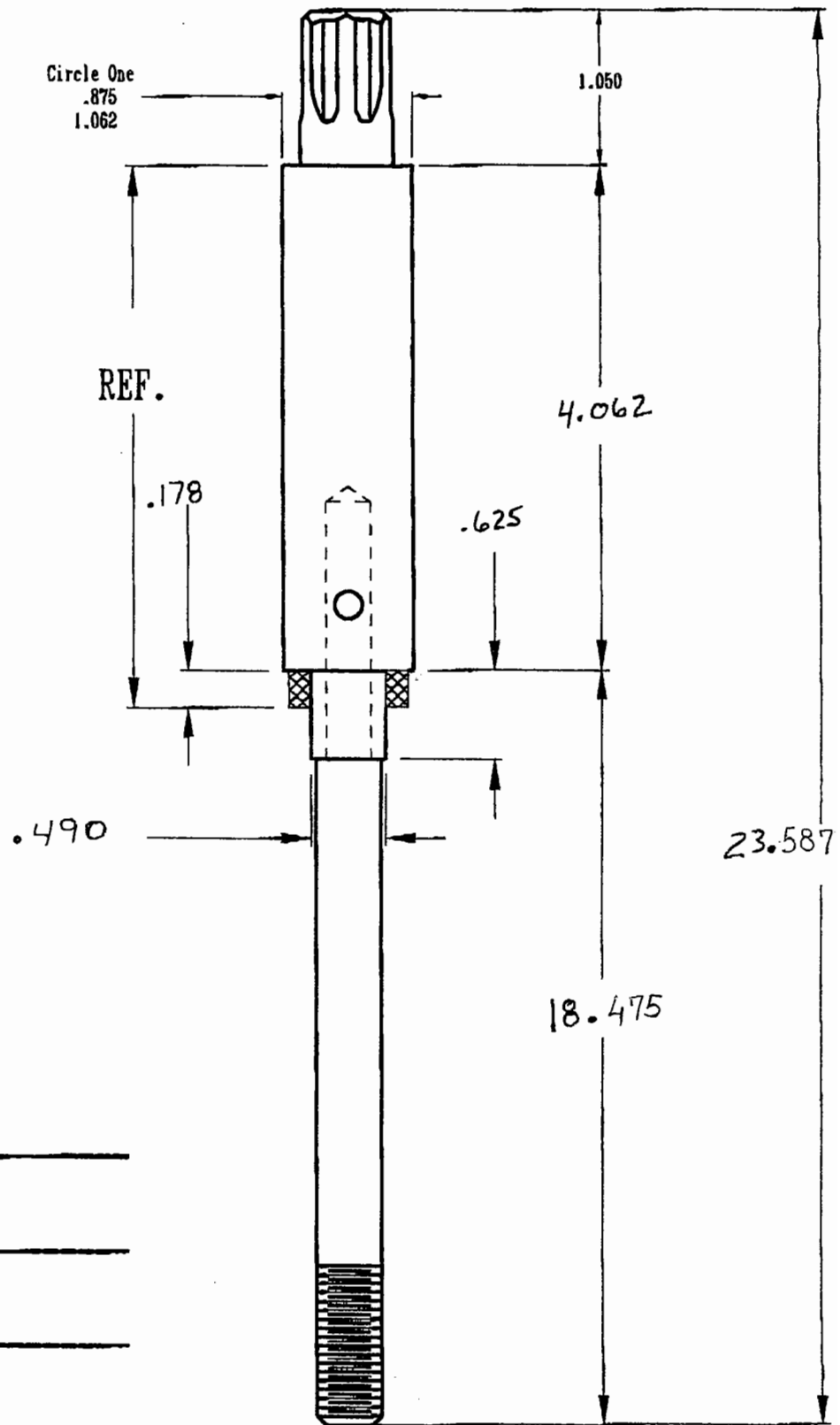
### MANUAL DR AUTOMATIC MODELS NORMAL SET-UP CONFIGURATION



# DRAWBAR WORKSHEET

Drawbar Number

600-44



Washer Data

Washer I.D. \_\_\_\_\_

Washer O.D. \_\_\_\_\_

Washer Thickness \_\_\_\_\_

Circle One 7/16-20 7/16-20  
 1/2-13  
 5/8-11  
 M12  
 M16

# NORMAL SET-UP CONFIGURATION

