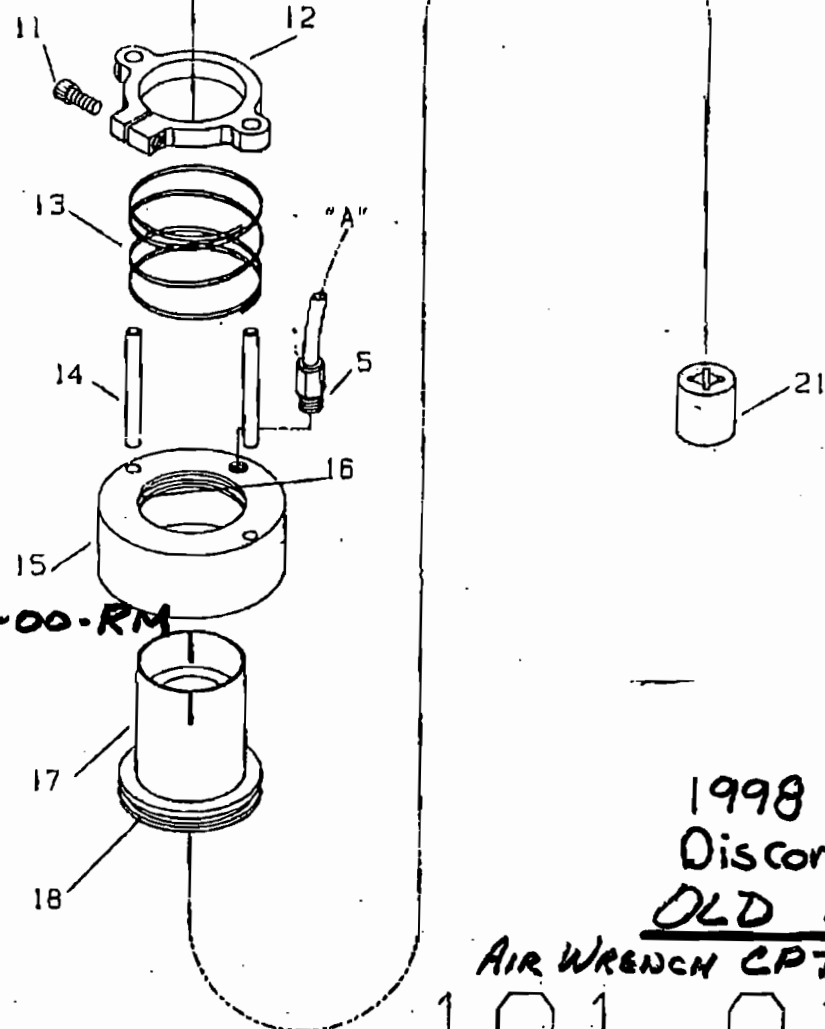


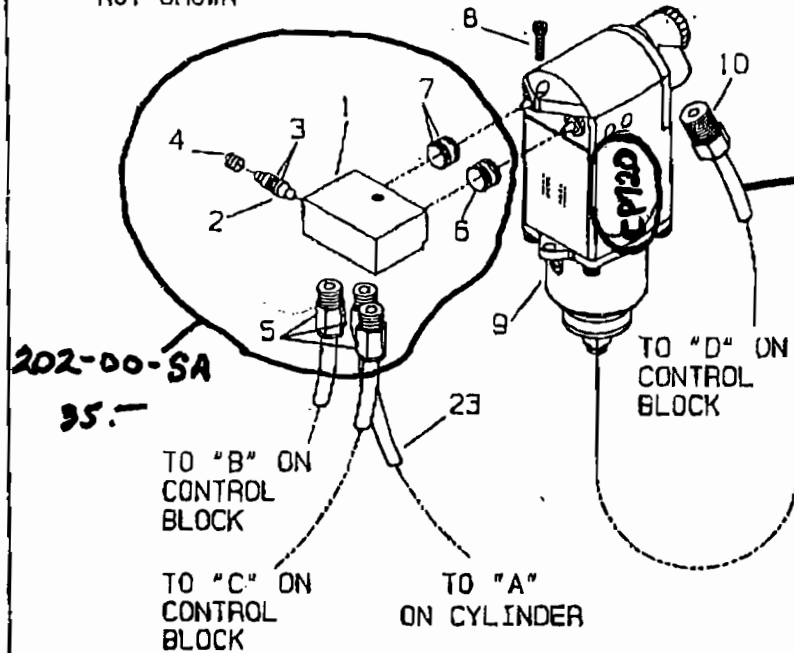
# AUTOMATIC MODEL

NO.	PART NO.	DESCRIPTION	QTY.
1	202-00	UPPER BLOCK	1
2	201-00	SHUTTLE PISTON	1
*3	225-05	O-RING, -008, 70 BN, MOLY	2
4	227-02	PLUG, 1/8 NPT, BRASS	1
5	226-01	FITTING, 1/8 NPT (PUSH IN)	1
6	224-00	SLAVE PISTON	2
*7	225-08	O-RING, -011, 70 BN.	4
8	00-0259	SHCS, #10-32 X 3/4	1
9	212-00	IMPACT WRENCH <b>CP720</b>	1
10	226-02	FITTING, 1/4 NPT (PUSH IN)	1
11	00-1288	SHCS, 1/4-20 X 5/8	1
12	204-00	CLAMP	1
13	210-00	PISTON SPRING	1
14	<del>04-0049</del>	GUIDE ROD	2
15	205-00	CYLINDER	1
*16	225-03	O-RING, -225, 70 BN.	1
17	203-00	PISTON	1
*18	225-04	O-RING, -228, 70 BN.	1
21	208-00	SOCKET	1
23	219-00/5	AIR TUBE, 7.5 INCHES LG.	1

**OBSOLETE**



\* NOT SHOWN



202-00-SA  
95.-

TO "B" ON CONTROL BLOCK  
TO "C" ON CONTROL BLOCK  
TO "A" ON CYLINDER

219-00-RM

1998  
Discontinued  
OLD STYLE

AIR WRENCH CP720

101-01

Some parts still available

VERTICAL SAFETY PUSHBUTTON WITH FLR

102-01

NO.	PART NO.	DESCRIPTION	QTY
1	03-1110	FLAT HEAD #4-40 X 3/4	4
2	308-01	FRONT PLATE, 3 BUTTON	1
3	324-03	"IN" BUTTON	1
4	324-04	"OUT" BUTTON	1
5*	225-01	O-RING, -008, 70 BN.	9
6	306-01	PUSHBUTTON BLOCK	1
7	301-00	PUSHBUTTON SLEEVE	2
8*	225-02	O-RING, -012, 70 BN.	6
9	326-02	PUSHBUTTON SPRING	2
10	307-00	BACK PLATE	1
11	03-0105	BUTTON HEAD #4-40 X 1/4	4
12	327-25	NIPPLE, 1/8 NPT X 2.5 LONG	1
13	226-01	FITTING, 1/8 NPT (PUSH IN)	3
14	06-1108	WASHER	2
15	309-00	MOUNTING BRACKET	1
16	03-1020	FLAT HEAD #10-32 X 3/8	2
17	328-00	SAFETY PUSHBUTTON	1
18	326-01	SAFETY PUSHBUTTON SPRING	1
19	312-06	FILTER/LUBRICATOR	1
20*	228-02	RETAINING RING	1

\* NOT SHOWN

